

TEKA**MAESTRO GFL 77760 EOS IX**

Built-in filter group with rim extraction

REFERENCE

REF: 113100008

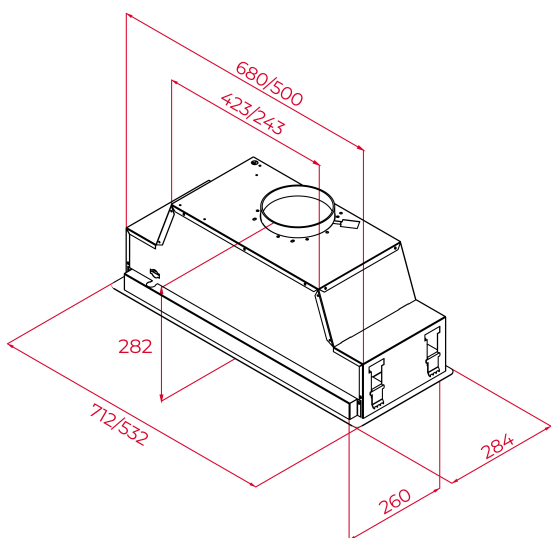
EAN: 8434778025651

FEATURES

Built-in filter group
Electronic control
Rim extraction
EcoPower motor
3 speeds + 1 intensive
Free Outlet exhaust capacity (m³/h): 735
Intensive speed sound level (dBA): 70,1
Max speed sound level (dBA): 68
Min speed sound level (dBA): 54,4
2 LED Lamps
1 aluminium filter with 3 layers
Stop delay timer
Anti-return valve included
Outlet reduction included
Optional Charcoal Filter: D4C



LED

Perimeter
extractionStop Delay
Timer**DIMENSIONS****Product height (mm):** 282**Product width (mm):** 712**Product depth (mm):** 284**Product length (mm):** 712**Net weight (Kg):** 10,8**TECH SPECS**

Energy Efficiency Class: A+

Noise (LwA) Min Speed (dB): 54,4

Noise (LwA) Max Speed (dB): 68

Noise (LwA) Boost Speed (dB): 70,1

Ø Outlet (mm): 150

COLOURS

113100008

Stainless Steel