

Fresh on the Inside,  
Sleek on the Outside

Quality, Design and Innovation

SIGN 3576 & SIKB 3550



**LIEBHERR**

## SIGN 3576 & SIKB 3550

Hidden away behind custom cabinetry, Liebherr's fully integratable **SIKB 3550** is the perfect refrigerator for any kitchen. BioFresh technology keeps meat, fish, and dairy products fresh in the DrySafe compartment, while high humidity in the Fruit & Vegetable-Safe efficiently retains natural moisture in unpackaged fruits and vegetables. The practical FlexSystem ensures neat separation and clear sorting. This model features efficient LED lighting throughout and flexible bottle racks to maximise interior space. SoftSystem technology ensures the gentle closing of doors even when shelves are fully loaded.

The **SIGN 3576** freezer includes transparent, extra-deep, and fully removable FrostSafe drawers on telescopic rails to allow you to efficiently organise frozen food. This unit also comes with SoftSystem. Our automatic IceMaker with fixed water connection produces crystal clear ice cubes, keeping a constant supply on hand for every occasion.

The **SIKB 3550** refrigerator and **SIGN 3576** freezer can be paired as a Side-by-Side appliance. Opt for our high-quality stainless steel panel and aluminium handle<sup>1</sup> for that extra hint of elegance in your kitchen!



SIGN 3576	No Frost	LED	Ice Maker	Soft System	Soft Telescopic	SIKB 3550	Bio Fresh	Soft System	Soft Telescopic
Premium						Premium			

Sound rating dB(A) *	37	37
Refrigerator capacity litre	-	308
BioFresh comp. litre	-	92
Freezer capacity litre	207	-
Number of shelves	-	8
Number of door racks	-	4
Number of freezer drawers	9	-
Number of BioFresh drawers	-	3 with LED
Electronic control	MagicEye behind-the-door, touch electronic	MagicEye behind-the-door, touch electronic
Door / side walls	Steel	Steel
Refrigerator temperature range °C	-	+3°C to +9°C
Freezer temperature range °C	-15°C to -28°C	-
Defrost type	Automatic	Automatic
Interior light	LED	LED light column
Door alarm	Audible	Audible
IceMaker	Fixed water connection 20mm (3/4")	-
Ice cube output kg/24h	0.8	-
SoftSystem	Yes	Yes
Door hinges	Left, reversible	Right, reversible
Product dimensions (H/W/D) cm	177 / 55.9 / 54.4	177 / 55.9 / 54.4
Cut out dimensions (H/W/D) cm	177.2 - 178.8 / 56 - 57 / min 55	177.2 - 178.8 / 56 - 57 / min. 55
Gross / Net weight kg	83 / 77.6	75.6 / 72.0
Voltage V/Hz	220-240 / 50	220-240 / 50

\* Noise output - according to EN 60704-3

<sup>1</sup> Optional accessories: Stainless Steel Panel (Part no. 990200700), Aluminum Handle (Part no. 990156100)

Note: Whilst every effort is made to ensure all specifications and information in this flyer are accurate, Liebherr reserves the right to make changes without notification. Where actual appliance measurements, specifications, and ratings are crucial, we recommend that the actual appliance installation instructions that accompany each appliance be checked. Liebherr will not be liable for any loss.

## Features



### LED

**Light columns:** For Liebherr's PremiumPlus appliances as well as for Premium appliances with BioFresh, unique LED light columns are integrated into both sides of the compartment liner. Inside the columns are numerous LED lights that ensure uniform lighting throughout the interior.



### Bio Fresh

**BioFresh:** BioFresh guarantees the perfect temperature and ideal humidity for much longer freshness. While the DrySafe is perfect for meat, fish, and dairy products, the high humidity in the Fruit & Vegetable-Safe can prevent fruit and vegetables from drying out and helps preserve stored goods for an even longer period.



### Soft System

**SoftSystem:** In built-in appliances, SoftSystem technology allows doors to close automatically and gently from 30° to eliminate slamming even when fully loaded.



### Ice Maker

**IceMaker:** Liebherr's automatic IceMaker produces flawless crescent ice and keeps constant supply on hand for every occasion.



### Vario Space

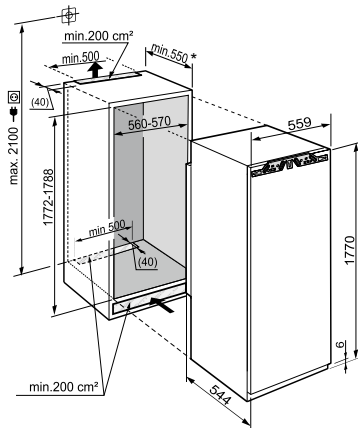
**VarioSpace:** Nearly all freezers include drawers and glass shelves that can be conveniently removed to create extra storage space. It's Liebherr's very practical solution to quickly accommodate even bulky items.



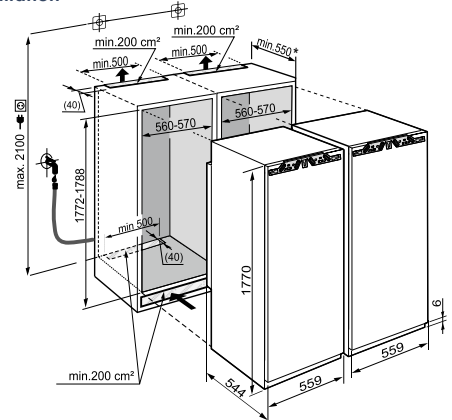
**Bottle shelf:** The versatile glass/bottle shelf can be interchanged depending on your personal preference. Utilize the glass layer for additional shelf storage or simply move glass plate beneath to access bottle rack to chill and store beverages instead.

Installation Diagrams

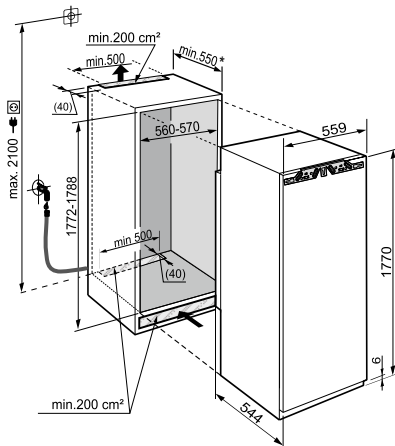
SIKB 3550



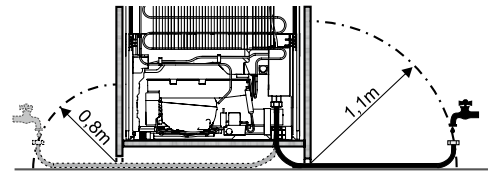
Side-by-Side Installation



SIGN 3576



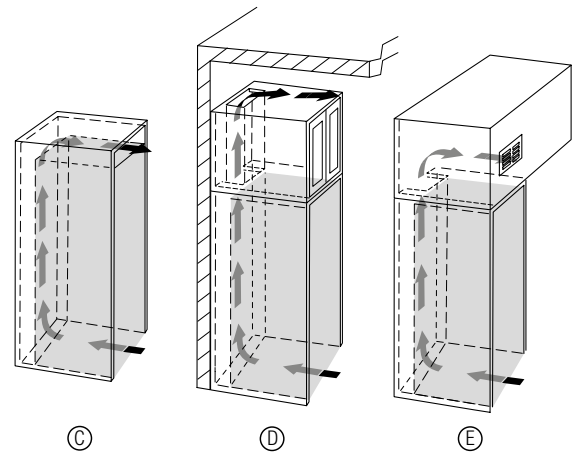
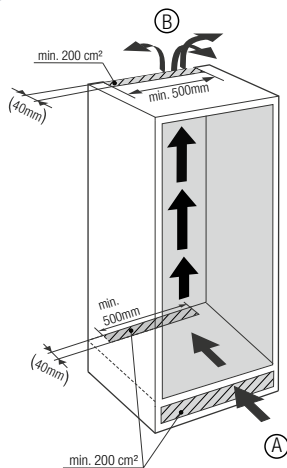
Water Connection



The plumbing must be installed adjacent to the side of the appliance which contains the IceMaker.

\* Recommended: 560 mm

Ventilation Diagrams



- There must be an effective ventilation shaft of at least 200 cm<sup>2</sup> per appliance at the air inlet (A) and outlet vent.
- The principle applies that the larger the ventilation shaft, the more energy-saving the operation of the appliance.
- The depth of the ventilation shaft at the back of the cabinet must be a min. of 40mm.

- The upper ventilation shaft can either be positioned directly above the appliance with an optional ventilation grill (C) close to the ceiling above the unit (D) or as an air outlet opening in a false ceiling (E).

Note: Whilst every effort is made to ensure all specifications and information in this flyer are accurate, Liebherr reserves the right to make changes without notification. Where actual appliance measurements, specifications, and ratings are crucial, we recommend that the actual appliance installation instructions that accompany each appliance be checked. Liebherr will not be liable for any loss.