

# SIKB 3520

Integrated refrigerator with BioFresh  
Comfort



**G** Made  
in Germany

# LIEBHERR

Fully Integrated

**LIEBHERR**

# SIKB 3520

Integrated refrigerator with BioFresh  
Comfort

**G** Made  
in Germany

Bio  
Fresh Telescopic  
Rails

↑  
178  
↓



Type	Fixed door / Built-in appliance for integrated use
Energy consump. in 365 days/24 h	149 / 0.408 kWh
Volume	BioFresh compartment: 94.1 l
Noise output	37 dB(A)
Climate rating	SN-T (+10 °C to +43 °C)
Frequency / voltage	50 Hz / 220-240 V~
Connection Rating	1.2 A
Aperture dimensions in cm (h / w / d)	177.2-178.8 / 56-57 / min. 55
<b>Controls</b>	
Type of Control	MagicEye, key electronic
Door alarm	acoustic
<b>Fridge compartment</b>	
Forced air system	PowerCooling
Door interior	Comfort GlassLine storage shelf with bottle holder, adjustable egg tray
Interior light	LED lighting
BioFresh-Safes	3 BioFresh-Safes on telescopic rails, of which 2 variably adjustable from Fruit & Vegetable-Safe to DrySafe
<b>Features</b>	
Side-by-Side concept	Side-panel heating on both sides, suitable for combination with other fridges, freezers and/or wine appliances
Door hinges	Reversible door hinging
EAN-Nr.	4016803066934

## Features

---



### BioFresh

Fruit and vegetables, meat, fish and milk products retain their healthy vitamins, the delicate aroma and appetising appearance considerably longer at a temperature of slightly above 0 °C than in a conventional refrigeration compartment.



### Drawers mounted on telescopic rails

The drawers extend on smooth-running telescopic rails and can be conveniently removed at a door opening angle of 90°.



### Egg tray

The extendible design of the adjustable egg tray makes it suitable for safely storing up to 20 chicken eggs or 28 quail eggs. We recommend that you store eggs with their pointy-end down to extend their shelf life, or that you place the egg tray within the BioFresh drawer's FlexSystem.



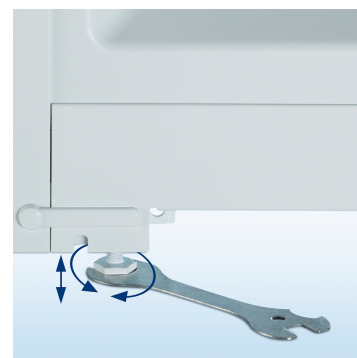
### Humidity control DrySafe/HydroSafe

The humidity control plates allow the air humidity to be set individually in the BioFresh compartments. The DrySafe in the BioFresh compartment with low humidity is ideal for storing meat, fish and dairy products. Fruit and vegetables are best kept unwrapped in the filled BioFresh HydroSafe at a humidity level of up to 90%.



### GlassLine interior

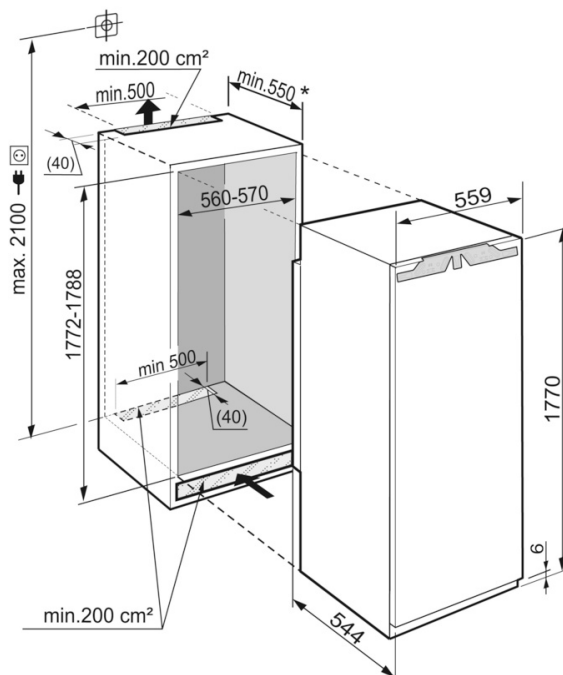
The elegant GlassLine equipment made from safety glass completes the high-quality overall impression of the interior. The elegant GlassLine storage shelves are scratch-proof, break-resistant and easy to clean. The high-quality stainless steel guide rails complete the harmonious overall appearance.



### Height-adjustable feet

The height adjustable feet allow Liebherr appliances to be aligned, ensuring the appliance is level on most surfaces.

# Technical drawing



Maximum weight of furniture door:  
Fridge compartment: 26 kg

Products and their details are staged for advertising purposes. Whilst every effort is made to ensure all specifications and information in this flyer are accurate, Liebherr reserves the right to make changes without notification. Where actual appliance measurements, specifications, and ratings are crucial, we recommend that the actual appliance installation instructions that accompany each appliance be checked. Liebherr will not be liable for any damage. (01.12.2022)

