

More Space  
For Fresh Ideas

Quality, Design and Innovation



ECBN 5066

**LIEBHERR**



**Door-on-door technology:** Allows custom panels to be affixed directly onto the appliance door so that the hinges are concealed, plus the cabinet and the fridge open as one, ensuring a wide range of design options and easy installation.



**IceMaker:** Liebherr's automatic IceMaker produces flawless crescent ice and keeps constant supply on hand for every occasion. A water filter ensures pure water for production of clear ice crescents.



**BioFresh:** BioFresh guarantees the perfect temperature and ideal humidity for much longer freshness. While the DrySafe is perfect for meat, fish, and dairy products, the high humidity in the Fruit & Vegetable-Safe can prevent fruit and vegetables from drying out and helps preserve stored goods for an even longer period.

*Note: Whilst every effort is made to ensure all specifications and information in this flyer are accurate, Liebherr reserves the right to make changes without notification. Where actual appliance measurements, specifications, and ratings are crucial, we recommend that the actual appliance installation instructions that accompany each appliance be checked. Liebherr will not be liable for any loss.*

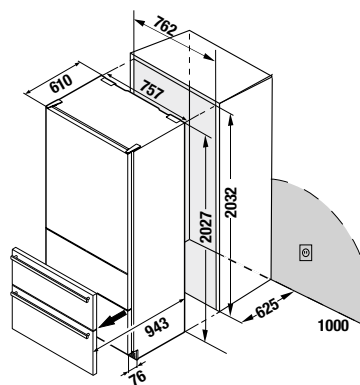
The **ECBN 5066** built-in masterpiece by Liebherr is the ultimate design highlight for any kitchen. Features a special satin-finish on the LED light cover to create an appealing and sophisticated lighting ambience. Available with door-on-door installation for customised integration. Opt for our stainless steel panels and handles for that extra touch of elegance!

**ECBN 5066**  
PremiumPlus

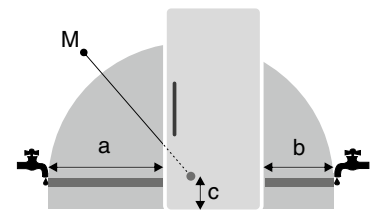


Energy consumption (kWh/yr)   Star rating	489   2.5
Compressors	2
Total capacity litres (L) - Gross   Net	387
Refrigerator Usable Litres	223
Freezer Usable Litres	103
BioFresh Usable Litres	61
MagicEye control system   Display	Touch - Electronic   LCD
Child proof setting for display & temperature	•
PremiumPlus lighting	•
DuoCooling	•
Sabbath mode	•
Temp alarm   Door open warning signal   Malfunction warning signal	•   •   •
Optional extra stainless steel panel/s & handle/s	•
BioFresh drawers on telescopic rails	2
SuperCool	•
GlassLine shelves	•
Elegant holding columns	•
Bottle shelf   Egg tray	Integrated   •
Automatic refrigerator defrosting	•   Frost Free
FrostSafe system	•
Freezer drawers   Ice cube drawer	2   1
SuperFrost	•
24hr freezing capacity (kg)	12
IceMaker	•
Ice cube capacity (kg/24h)   Ice cube stock maximum (kg)	1   2.7
Stainless steel hose supplied (m)	3
Door hinges	Right, reversible*
Voltage (V)   Rated Current (A)	220-240   1.5
Made in	Austria

Installation Diagram



Water Connection



a = 1000 mm  
b = 2000 mm  
c = 170 mm  
M = Solenoid valve

Plumbing must be installed adjacent to the side of the appliance which contains the IceMaker.  
Water pressure must be between 0.15 MPa and 0.6 MPa (1.5 bar - 6 bar)

\* Please contact the authorised Liebherr customer service for reversing the door hinge.

Subject to modification. Current data see home.liebherr.com (151021)