

7080 408-00

ECBN 94 / ECBN 96

LIEBHERR

Content

| | |
|---|----|
| Please read and follow these instructions..... | 30 |
| Note to the installer..... | 31 |
| Mounting the anti-tipping device | 31 |
| Setting up | 31 |
| Electrical connection..... | 31 |
| Appliance dimensions | 32 |
| Door swing clearance (top view) | 32 |
| Installation dimensions..... | 33 |
| Panel dimensions | 34 |
| Unpacking | 35 |
| Supplied accessories | 36 |
| Anti-tipping device..... | 38 |
| Safety instructions and warnings for water connection | 39 |
| Water connection requirements | 39 |
| Appliance installation | 40 |
| Installing the refrigerator panel (ECBNECBN 96719471 / 43)..... | 43 |
| Installing the refrigerator panel (ECBN 9673)..... | 47 |
| Installing the refrigerator panel..... | 51 |
| SmartDeviceBox (not supplied in all countries)..... | 56 |
| Please note in case of removing appliance from the recess .. | 56 |
| Important note for changing over door hinges or limiting the door opening angle to 90° | 56 |

Please read and follow these instructions.

These instructions contain Danger, Warning and Caution notes.

This information is important for safe and efficient installation and operation.

Always read and comply with all Danger, Warning and Caution notes!



DANGER!

Danger indicates an imminent hazard which will cause serious injury or death if precautions are not followed.



WARNING!

Warning indicates a hazardous situation which, if not avoided, could result in death or serious injury.



CAUTION!

Caution indicates a potentially hazardous situation which, if not avoided, may result in minor or moderate injury.

IMPORTANT

This indicates information that is especially relevant to a problem-free installation and operation.

Note to the installer

It is very important to follow the instructions in the manual to ensure proper installation and operation of the appliance.

Before installing the appliance, be sure to thoroughly read and understand all of the information in this manual.



WARNING!

Risk of electric shock.

Do not connect to the socket before the installation is completed.


Mounting the anti-tipping device

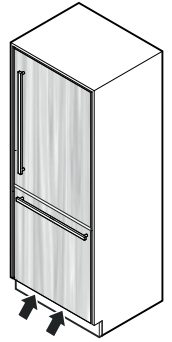


WARNING!

To avoid a hazard due to instability of the appliance, it must be secured in accordance with the instructions.

Setting up

- Do not place the appliance in direct sunlight or near cookers, radiators and similar sources of heat.
- The floor on which the appliance stands should be horizontal and level.
- Do not cover ventilation openings or grilles. 
- The door front must finish at least 102 mm above the floor to guarantee adequate ventilation and air extraction.
- The more refrigerant in the appliance, the larger the room must be in which the appliance is located. If the room is too small, an inflammable mixture of gas and air may form in the event of a leak. The room must have a volume of at least 1 m³ for each 8 g of refrigerant. Details on the refrigerant used in your appliance are indicated on the type plate on the inside of the appliance.



Electrical connection

Only operate the appliance with **alternating current (AC)**.

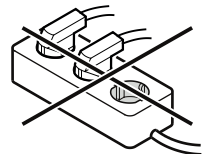
The permissible voltage and frequency are indicated on the type plate. The position of the type plate is shown in the section entitled **Description of the appliance** (Operating instructions).

The socket must be properly earthed and protected by a fuse.

The tripping current of the fuse must be between 10 A and 16 A.

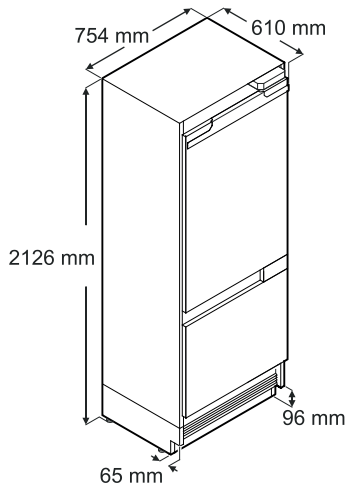
Do not connect the appliance using an extension cable or extension socket.

Do not use stand-alone inverters (conversion of direct current to alternating current/three-phase current) or energy-saving plugs. Risk of damage to the electronic control system!

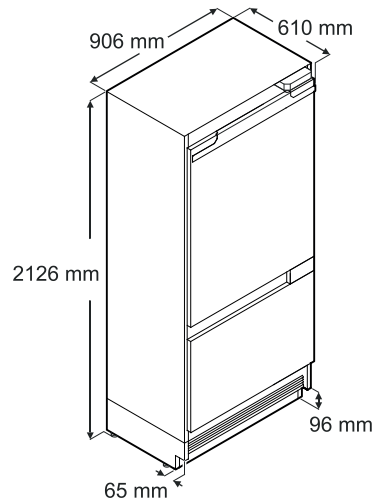


Appliance dimensions

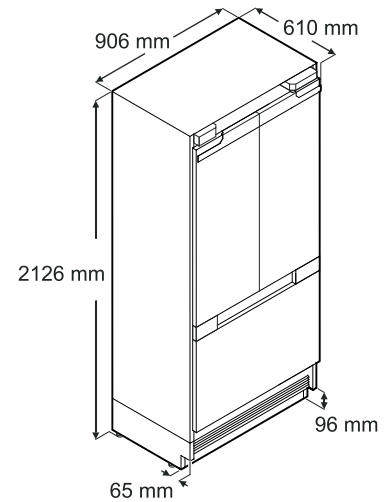
ECBN 9471



ECBN 9671



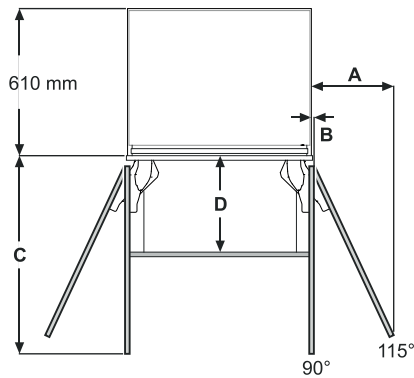
ECBN 9673



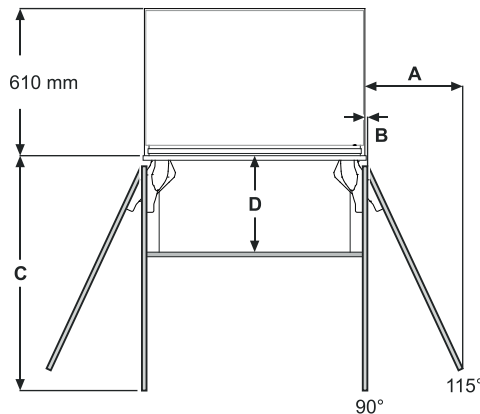
Stated minimum height dimensions include when the adjustable feet are fully inserted. Width will increase by 6.5 mm when mounting strips are installed.

Door swing clearance (top view)

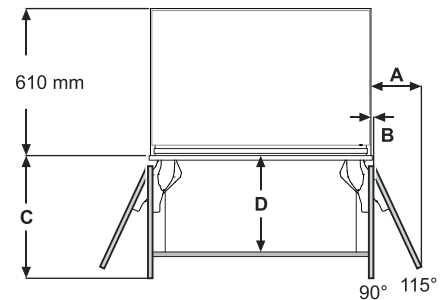
ECBN 9471



ECBN 9671



ECBN 9673



Internal door panel

A = 337 mm
B = 12,5 mm
C = 810 mm

External door panel

A = 343 mm
B = 12,5 mm
C = 822 mm
D = 400 mm

Internal door panel

A = 400 mm
B = 12,5 mm
C = 962 mm

External door panel

A = 406 mm
B = 12,5 mm
C = 975 mm
D = 400 mm

Internal door panel

A = 210 mm
B = 12,5 mm
C = 510 mm

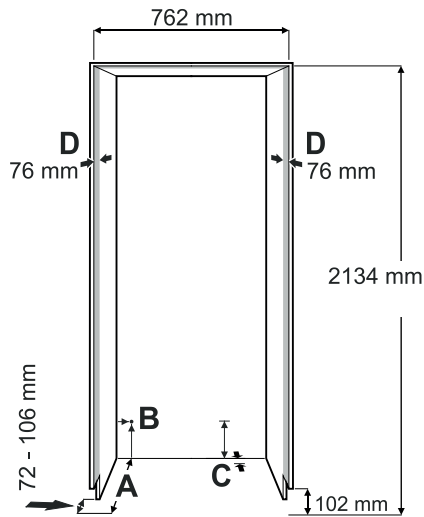
External door panel

A = 210 mm
B = 12,5 mm
C = 510 mm
D = 400 mm

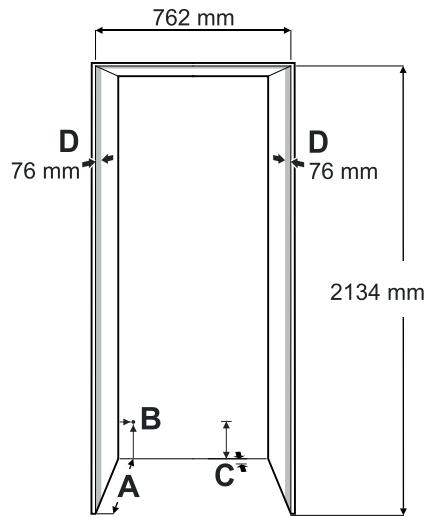
Dimension A and B: add panel thickness and handle projection to calculate distance to wall.

Installation dimensions

Continuous plinth panel



Individual plinth panel



A
Recess depth for external door panel = 635 mm

Recess depth for internal door panel = 635 mm plus panel thickness

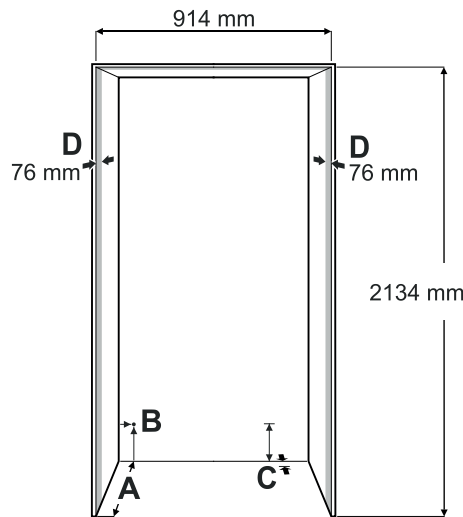
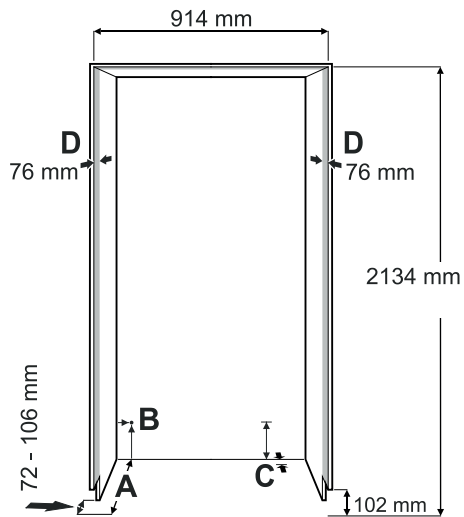
B
This is the point where the mains cable exits from the appliance rear. 19 mm from the left and 127 mm from the floor. Free length of the mains cable is 2.5 m.

IMPORTANT

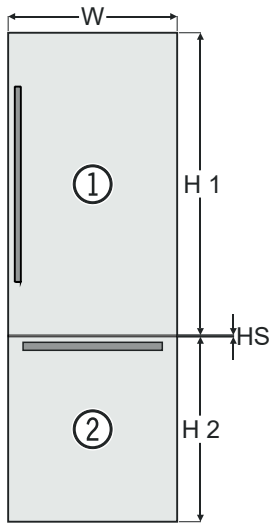
The socket must be easily accessible so that the appliance can be disconnected from the mains quickly in an emergency. It must not be behind the back of the appliance.

C
The appliance has a recess in this area for cable and water line laying. 25 mm in depth and 140 mm in height over the whole width of the appliance.

D
This surface is visible when the appliance door is open. Designed finish is required.



Panel dimensions



762 mm recess

Internal door panel

H1 = 1255 mm
H2 = 768 mm
HS = 6 mm
W = 756 mm

External door panel

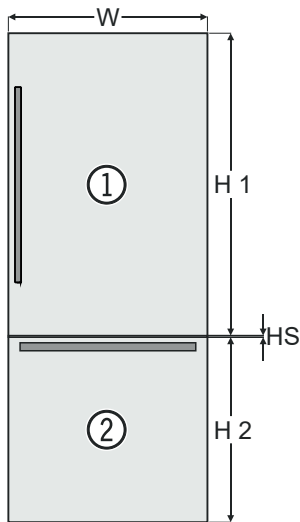
H1 = 1258 mm plus overlapping of the panel on the top
H2 = 768 mm
HS = 6 mm
W = 762 mm plus overlapping of the panel on both sides

Minimum panel thickness = 16 mm *

Maximum panel thickness = 25 mm

Maximum panel weight (1) = 22 kg

Maximum panel weight (2) = 13 kg



914 mm recess

Internal door panel

H1 = 1255 mm
H2 = 768 mm
HS = 6 mm
W = 908 mm

External door panel

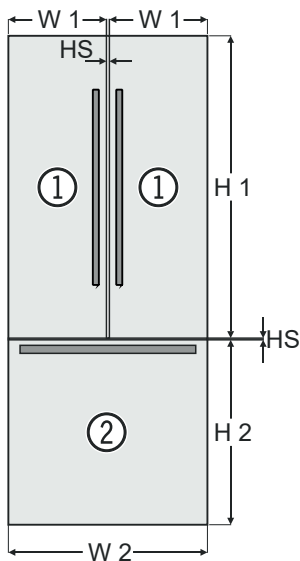
H1 = 1258 mm plus overlapping of the panel on the top
H2 = 768 mm
HS = 6 mm
W = 914 mm plus overlapping of the panel on both sides

Minimum panel thickness. = 16 mm *

Maximum panel thickness = 25 mm

Maximum panel weight (1) = 25 kg

Maximum panel weight (2) = 15 kg



914 mm recess

Internal door panel

H1 = 1255 mm
H2 = 768 mm
HS = 6 mm
W1 = 451 mm
W2 = 908 mm

External door panel

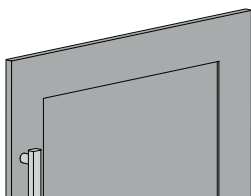
H1 = 1258 mm plus overlapping of the panel on the top
H2 = 768 mm
HS = 6 mm
W1 = 454 mm plus overlapping of the panel outwards
W2 = 914 mm plus overlapping of the panel on both sides

Minimum panel thickness = 16 mm *

Maximum panel thickness = 25 mm

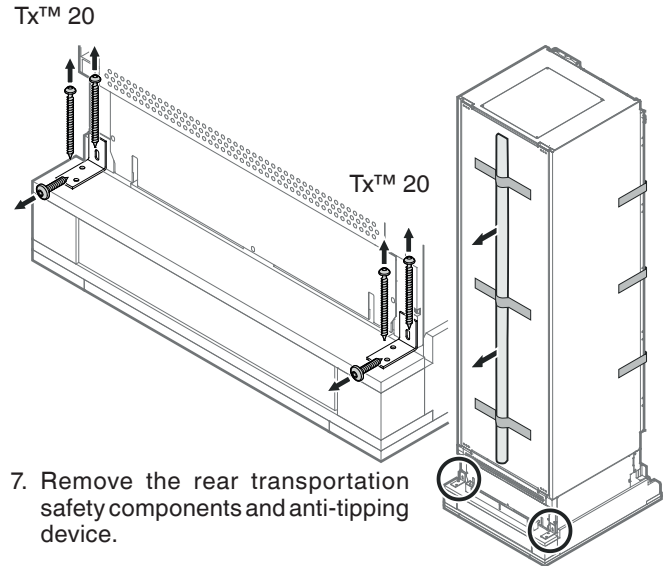
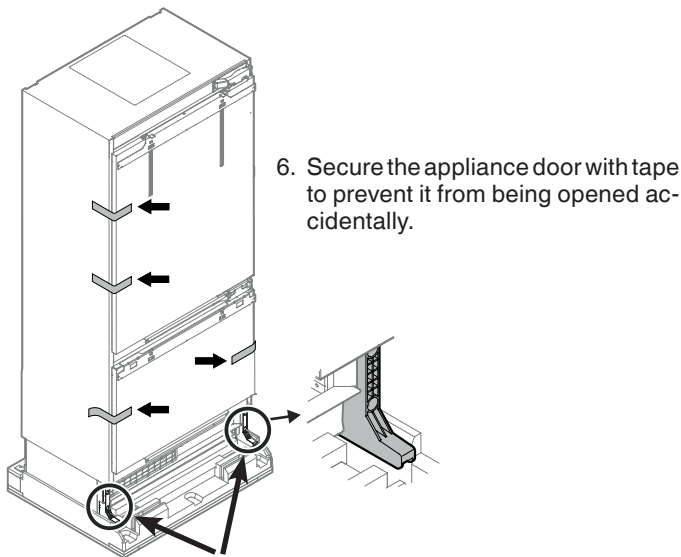
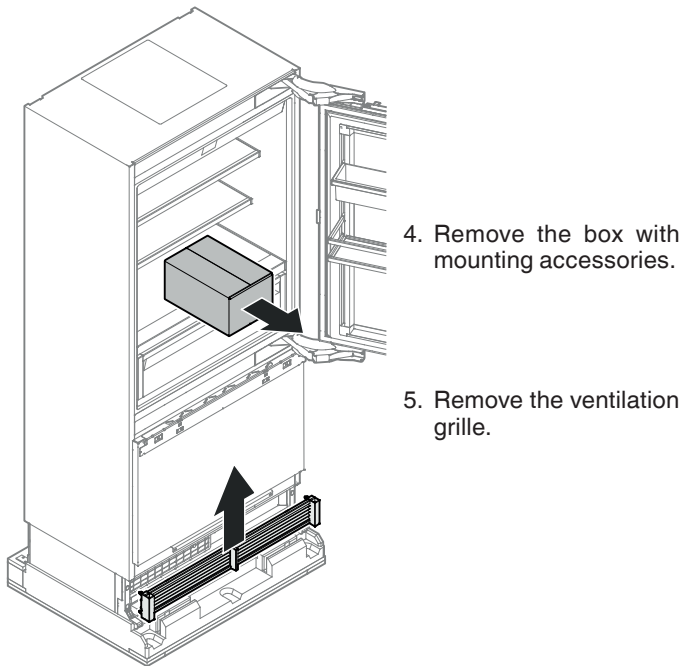
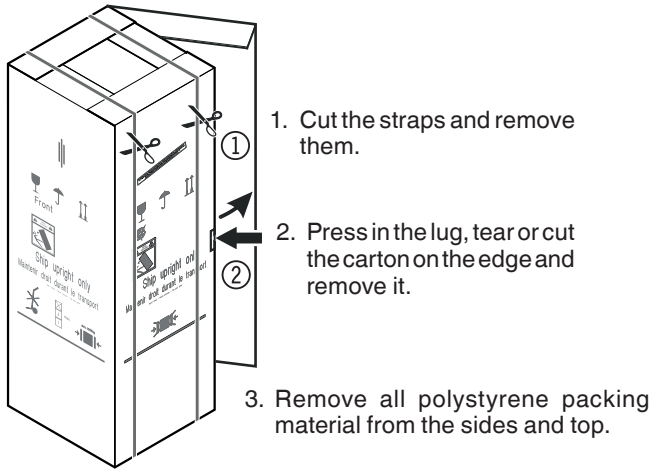
Maximum panel weight (1) = 13 kg

Maximum panel weight (2) = 15 kg



* If a "shaker style" panel is used which undershoots the minimum panel thickness, shorter screws than those supplied in the accessory pack must be used.

Unpacking

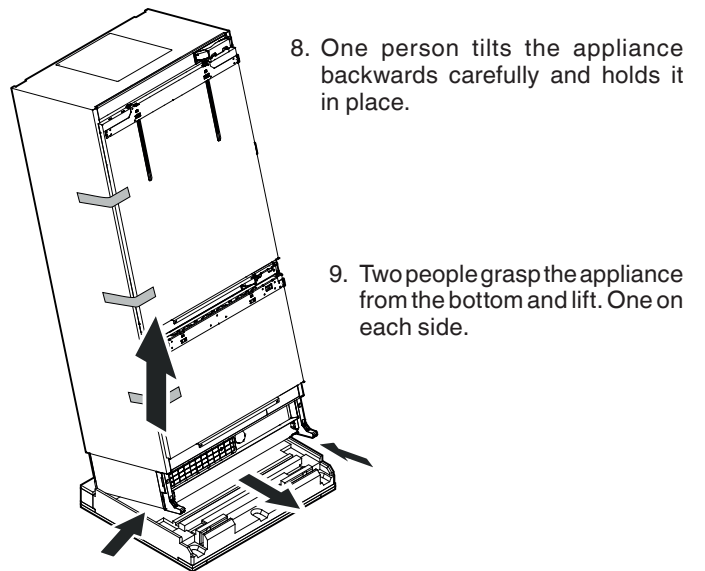


Remove the packed cover strips and support strips from the appliance rear.

WARNING!

Risk of injury and damage.

Four people are required to safely remove the appliance from the bottom pallet.



10. One person removes the pallet. Place the appliance carefully on the floor.

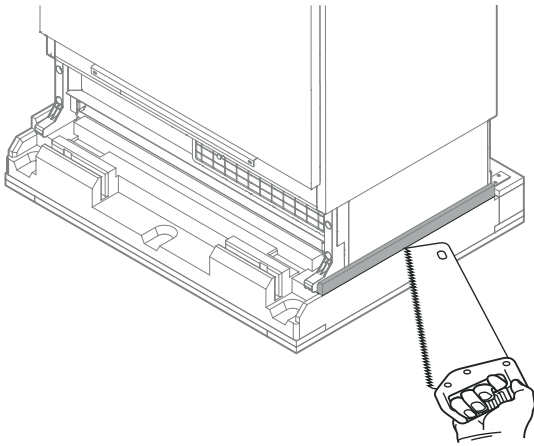
DANGER!

Risk of death or serious injury due to appliance tipping over.

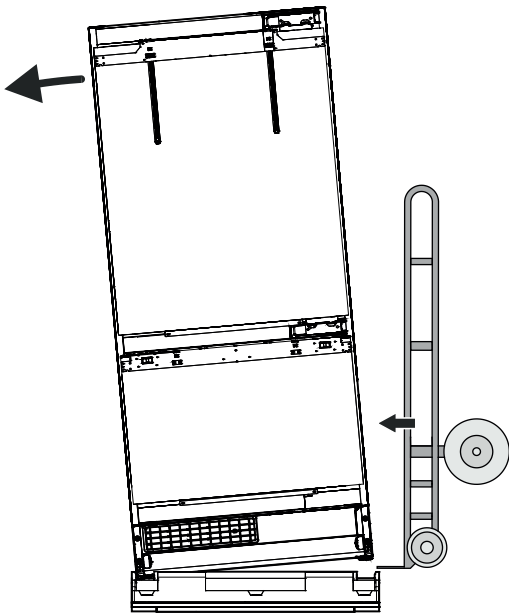
Do not remove the transportation safety components before the appliance is in the recess.

Alternative possibility:

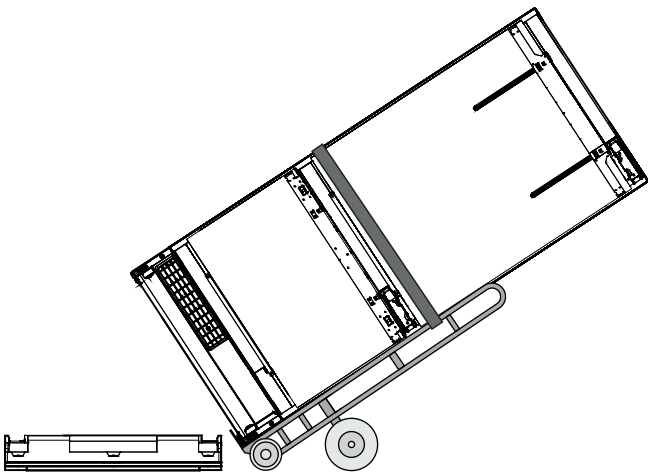
Cut off the marked area from the pallet.



Tilt the appliance slightly sideways.

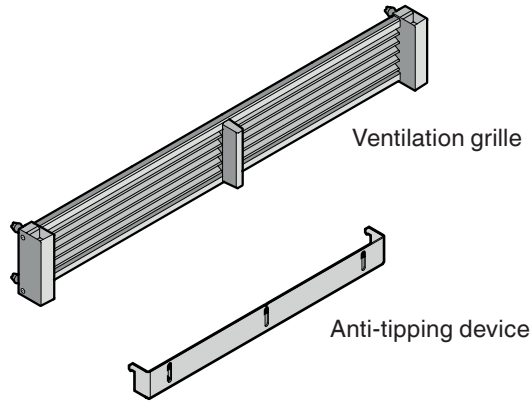


Slide a transport dolly between the appliance and packaging.
Tie the appliance to the dolly with straps.
Tilt the appliance onto the dolly.

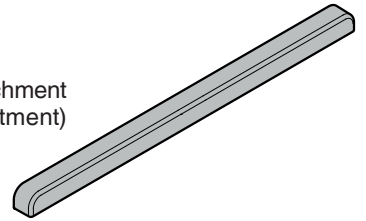


Place the appliance carefully on the floor.

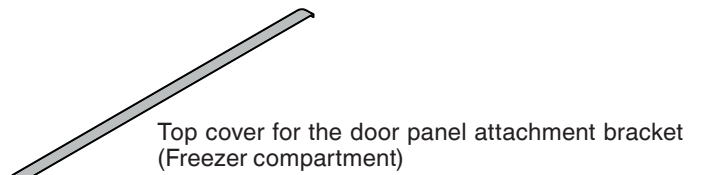
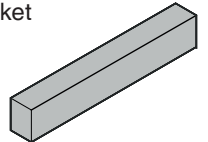
Supplied accessories



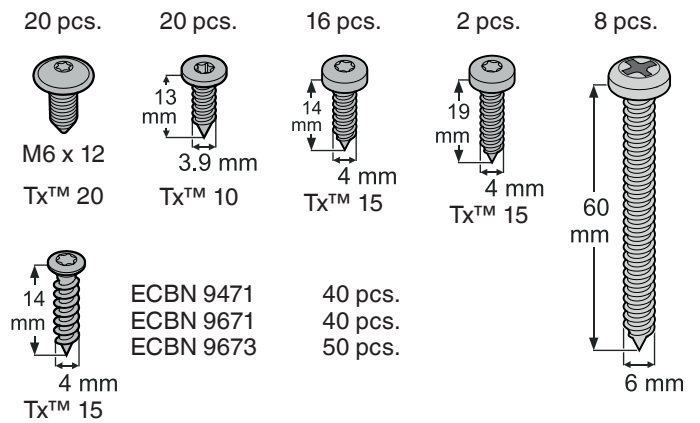
Top cover for the door panel attachment bracket (Refrigerator compartment)
ECBN 9471
ECBN 9671



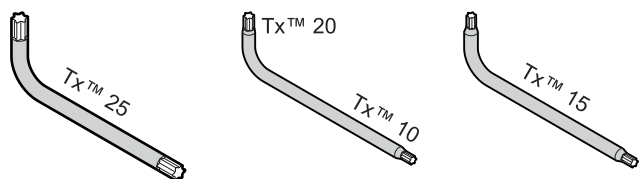
Top cover for the door panel attachment bracket (Refrigerator compartment)
ECBN 9673 2 pcs.



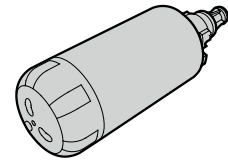
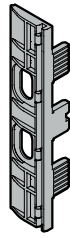
Retaining screws for installation



Torx™ keys

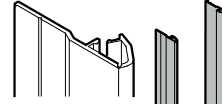


Panel support
10 pcs.

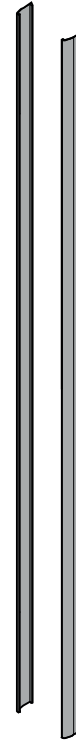


Water filter

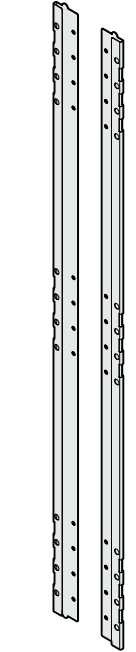
Cover strips for
the gap between
appliance and
recess



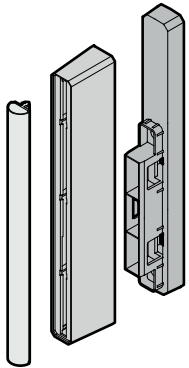
Cover strips for
the panel supports
(Refrigerator compart-
ment)



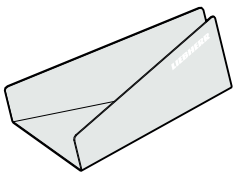
Panel support
strips
(Refrigerator
compartment)



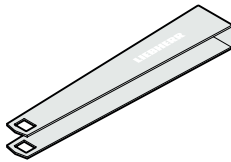
Divider for ventilation duct in the plinth area



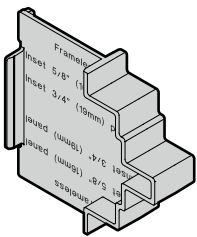
Ice scoop



Ice tongs



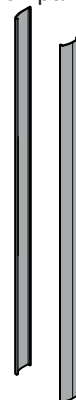
Depth adjustment aid
4 pcs.



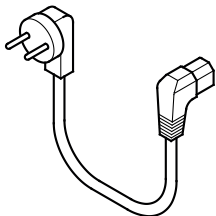
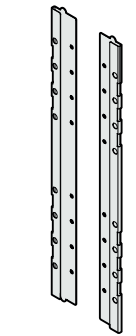
Opening limiter
ECBN 9471 2 pcs.
ECBN 9671 2 pcs.
ECBN 9673 4 pcs.



Cover strips for the
panel supports
(Freezer compartment)



Panel support
strips
(Freezer compart-
ment)

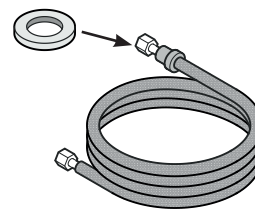


Mains cable

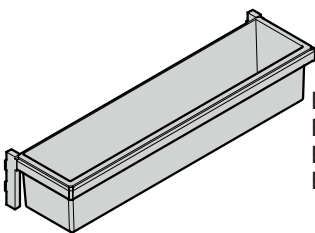
2 pcs.
Replacement sticker for plinth
panel assembly



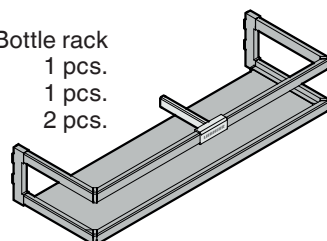
Stainless steel hose + seal



Door rack
ECBN 9471 1 pcs.
ECBN 9671 1 pcs.
ECBN 9673 3 pcs.

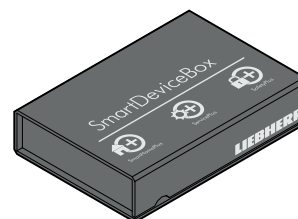


Bottle rack
1 pcs.
1 pcs.
2 pcs.



ECBN 9471
ECBN 9671
ECBN 9673

**SmartDeviceBox
(not supplied in
all countries)**



Includes module for smartphone
connectivity

DO NOT DISCARD!

Forward to appliance user!

**SmartDevice functions are not available in all coun-
tries.**

Anti-tipping device

The supplied anti-tipping bracket must be installed in all cases. This prevents the appliance from tipping over when the fully loaded door is opened.

- May only be installed by trained personnel.
- The 6 x 60 mm screws are designed for standard dry walls.
- If the anti-tipping bracket cannot be secured properly using the 6 x 60 mm screws, use suitable anchors or different screws.

Positioning the anti-tipping device - figure 1 - 2

IMPORTANT

Unit depth min. 635 mm

The anti-tipping bracket is fastened to the floor downwards and to the spacer backwards.

WARNING!

Ensure that the spacer is fastened securely to the floor.

Kitchen unit with internal door panel - figure 1

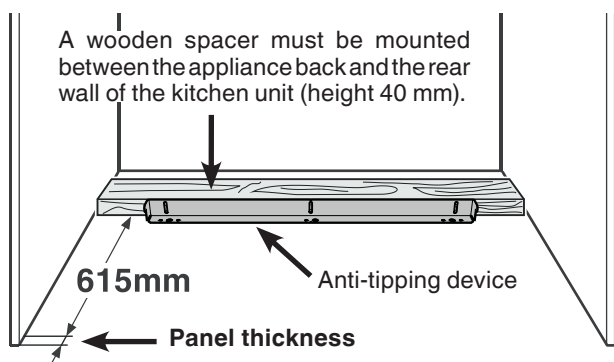


Figure 1

Kitchen unit with external door panel - figure 2

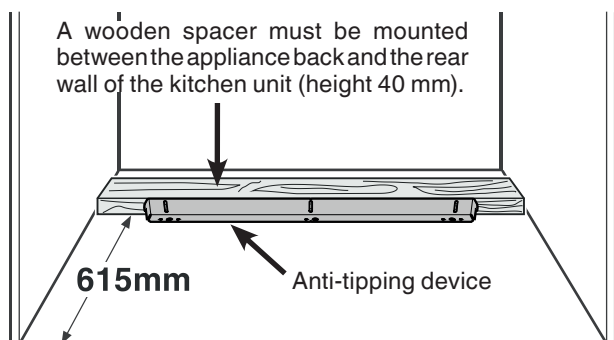


Figure 2

IMPORTANT

If the floor slopes down sideways, the anti-tipping bracket must be fitted horizontally. Put spacers underneath where necessary.

Mounting the anti-tipping device on wooden floors - figure 3

1. Mark the centre line of the appliance on the rear wall. Align the anti-tipping bracket centre to this centre line.

WARNING!

Ensure that there are no electric cables or water pipes in the wall section to which the anti-tipping bracket is to be secured. These could be damaged by screws or drills during installation.

2. Fasten the anti-tipping bracket to the wooden floor using 5 screws (6 x 60). Drill pilot holes if necessary.
3. Fasten the anti-tipping bracket to the rear wall using 3 screws (6 x 60).

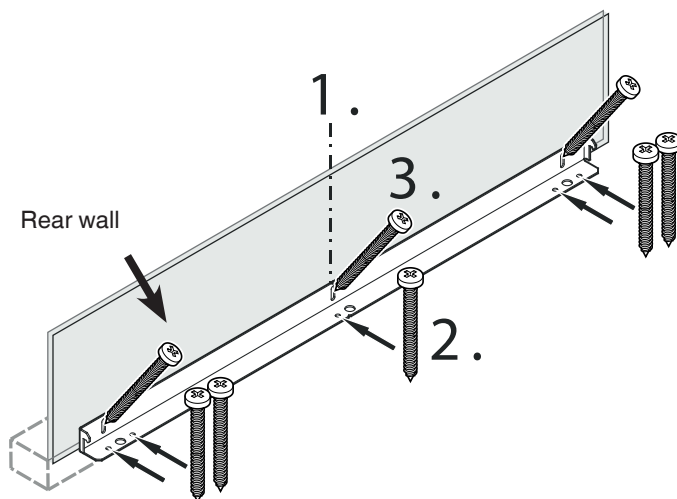


Figure 3

Mounting the anti-tipping device on concrete floors - figure 4 - 5

1. Mark the centre line of the appliance on the rear wall. Align the anti-tipping bracket centre to this centre line.

WARNING!

Ensure that there are no electric cables or water pipes in the wall section to which the anti-tipping bracket is to be secured. These could be damaged by screws or drills during installation.

2. Drill 10 mm diameter holes in the positions shown in **figure 4** using a carbide drill bit.
The depth of the holes must exceed the overall length of the anchors.
Clean the holes after drilling.
3. Fit the washer and screw on the hex nut to the end of each anchor.
Drive in all three anchors.
Align the anti-tipping bracket centre to the centre line on the rear wall again.
Fasten the anchors by turning the hex nut.
4. Fasten the anti-tipping bracket to the rear wall (**figure 5**) using 3 screws (6 x 60).

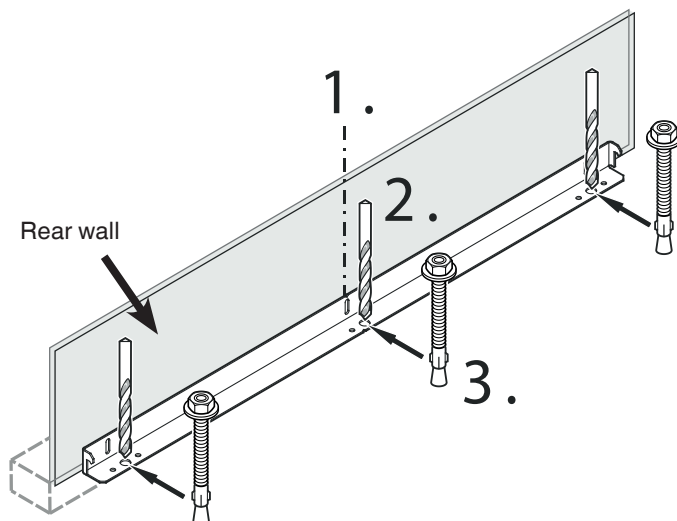


Figure 4

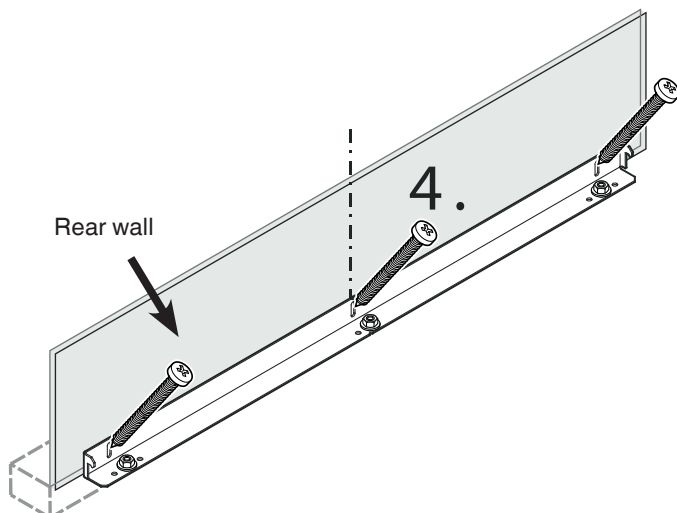


Figure 5

Safety instructions and warnings for water connection

- Do not install the water connection while the appliance is connected to an electrical socket.
- The connection to the mains water supply may only be made by a trained and licensed plumber.

WARNING!

Connect to potable water supply only.

Water connection requirements

- The water supply line and inlet solenoid valve on the appliance are designed for a water pressure of up to **1 MPa (10 bar)**. To ensure reliable, perfect function (flow rate, ice cube size and noise level), the pressure range should be between **0.15 MPa (1.5 bar)** and **0.6 MPa (6 bar)** on appliances without a water filter and between **0.28 MPa (2.8 bar)** and **0.62 MPa (6.2 bar)** on appliances with a water filter. If the pressure is higher than **0.62 MPa (6.2 bar)**, a pressure reducer must be installed upstream of the appliance.

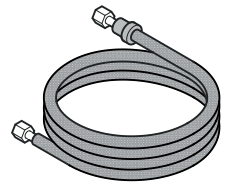
Failure to meet these requirements may result in water dispenser malfunction and a water leak that can damage flooring and surrounding furniture.

- A shut-off valve must be installed between the water line and the mains water supply. It must be easily accessible so that the water supply can be stopped immediately if necessary.

IMPORTANT

Do not install the shut-off valve behind the appliance.

The water supply to the appliance must be through a cold water pipe that can withstand the operating pressure and complies with the hygiene regulations. For this, use the stainless steel hose supplied (length 3 m).

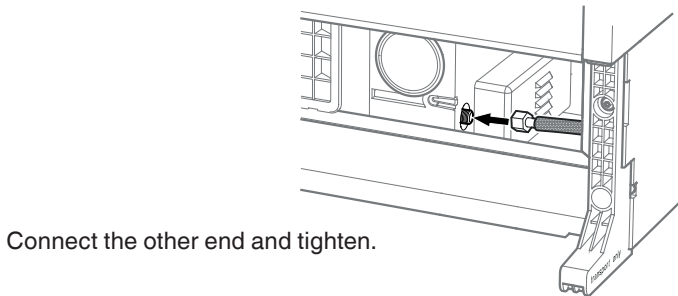
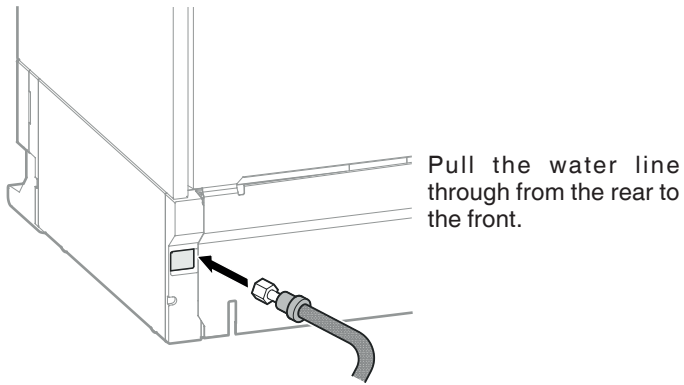


IMPORTANT

Do not use any old or already pre-mounted water supply lines.

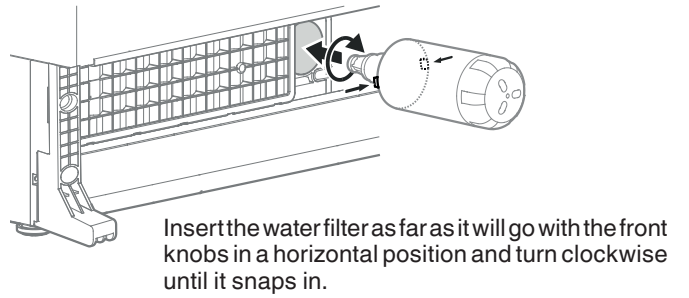
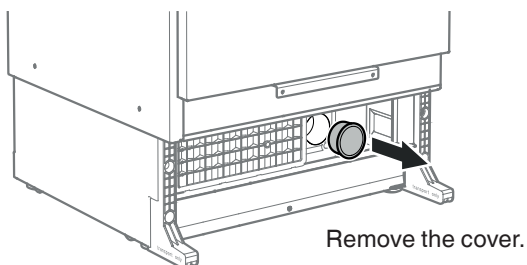
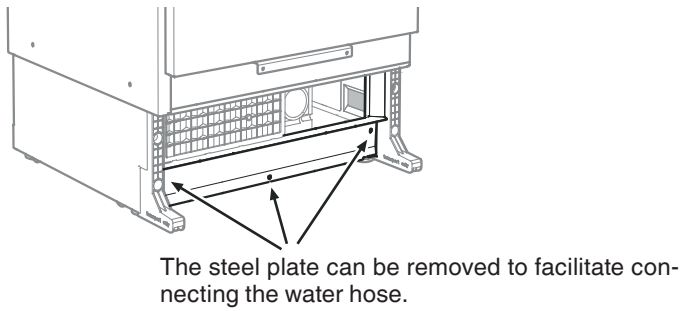
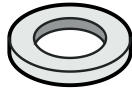
Appliance installation

Move the appliance towards the final position and leave enough space to work behind.



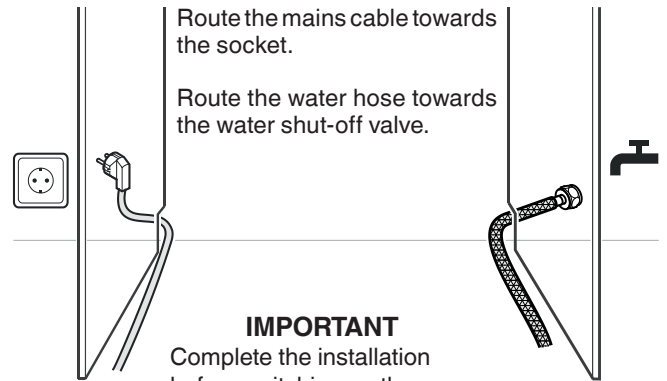
IMPORTANT

Make sure that the connection is fitted with a seal and is tight.



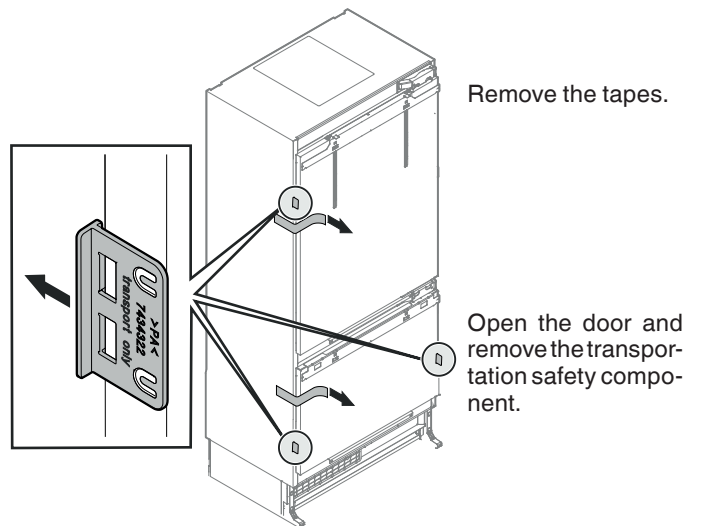
IMPORTANT

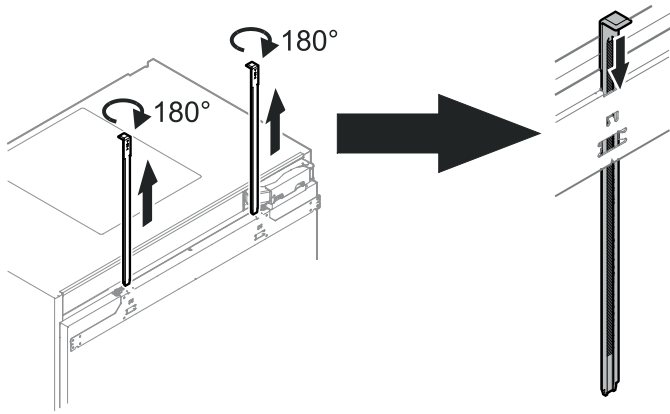
The water filter must be installed. Otherwise, the system may be blocked by dirt.



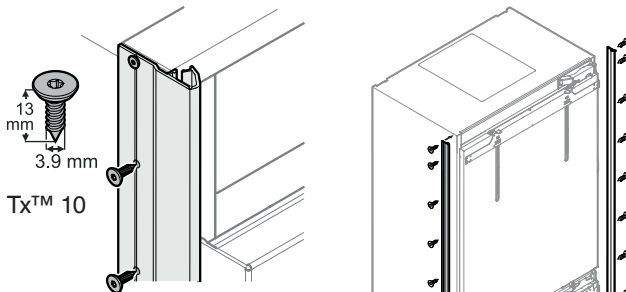
IMPORTANT

Complete the installation before switching on the appliance.





Remove the mounting strips, turn them through 180° and insert them as far as possible into the attachment bracket.

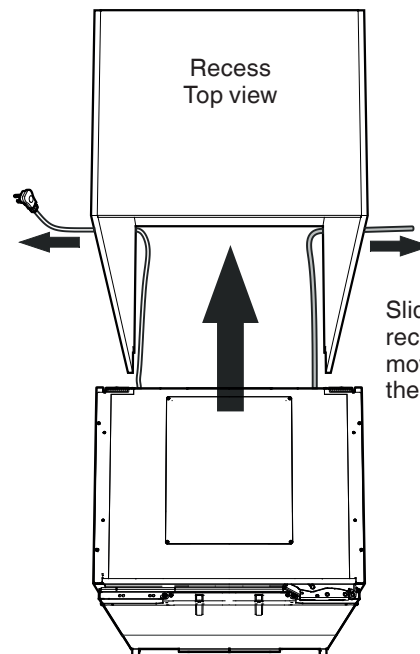
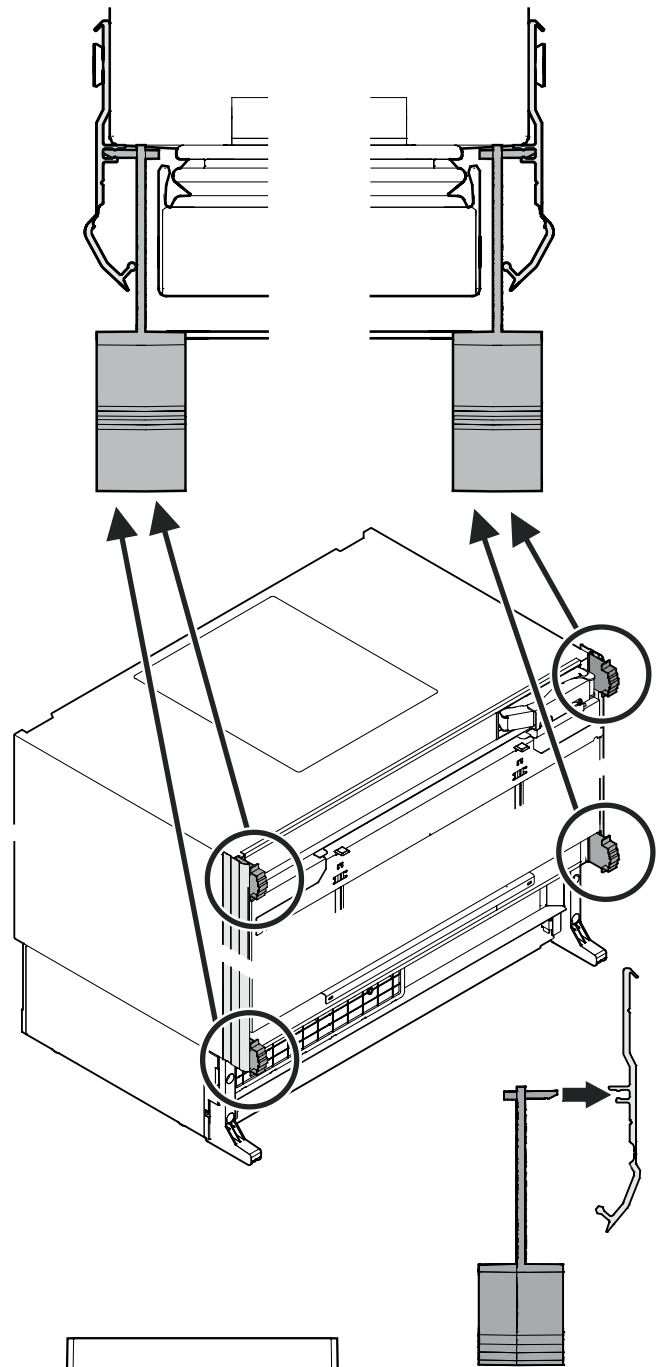


Apply the appliance cover strips to the left and right front edge of the appliance housing, align in height with the appliance top and screw into place. The strip is transparent so that the designed attachment holes on the appliance housing are visible. We recommend that you mark and pre-drill the hole positions in the strip.

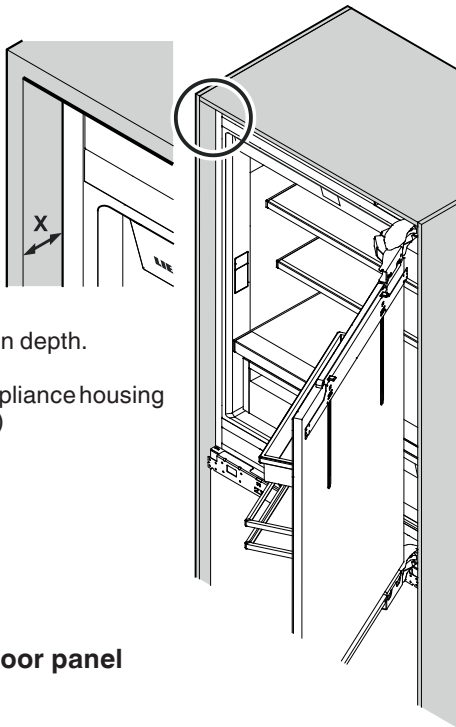
IMPORTANT

Use the correct flat-headed screws, otherwise the edges of the kitchen unit will be damaged when sliding the appliance into the recess.

Mounting the depth adjustment aid into the cover strips



Slide the appliance into the recess. To avoid damage, move the mains cable and the water line at once.



Align the appliance in depth.

X = recess front to appliance housing front (not cover strip)

Internal 22 mm door panel

X = 66 mm

Internal 19 mm door panel

X = 63 mm

Internal 16 mm door panel

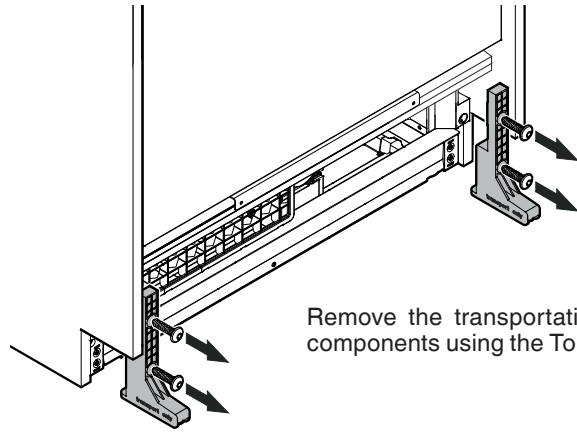
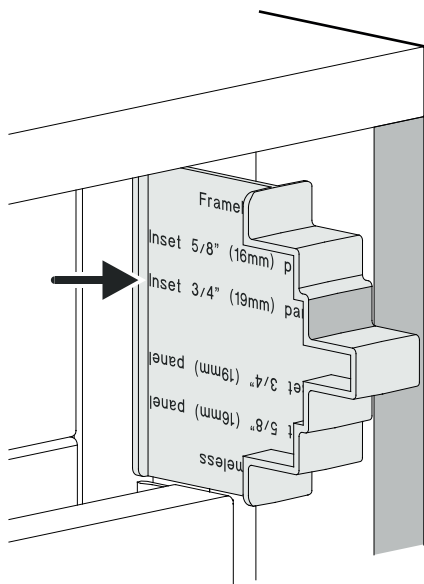
X = 60 mm

External door panel

X = 44 mm

or

with the depth adjustment aid:
The surface of the depth adjustment aid must be flush with the surface of the recess (example shows 19 mm).

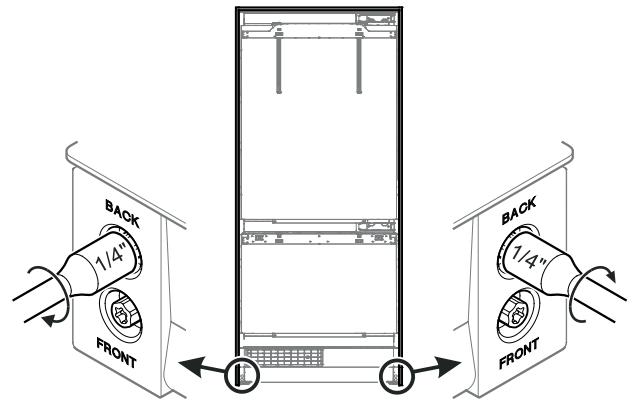


Remove the transportation safety components using the Torx 25 key.

⚠ DANGER!

Risk of death or serious injury due to appliance tipping.

Do not open the appliance door before the height adjustment is finished and the anti-tipping bracket supports the appliance.



Turn clockwise to raise the appliance.

Raise the appliance evenly by turning the screws successively until the appliance back touches the anti-tipping bracket (lift approx. 6.5 mm).

To attain the minimum base panel height of 102 mm, the adjustable feet must be raised 6 to 8 mm.

Maximum height adjustment of the appliance = 19 mm

IMPORTANT

When turning the screws with an electric screwdriver, please make absolutely sure that:

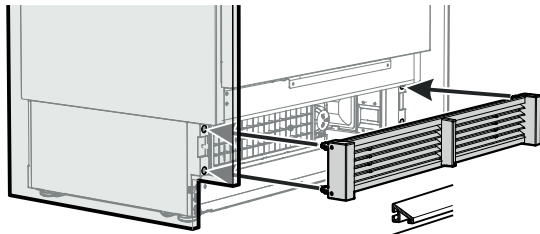
- Maximum rotation speed = 400 rpm
- Maximum torque = 1 Nm

Failure to follow this instruction will result in damage to the height adjustment.

Installing the refrigerator panel (ECBN 9471 / ECBN 9671)

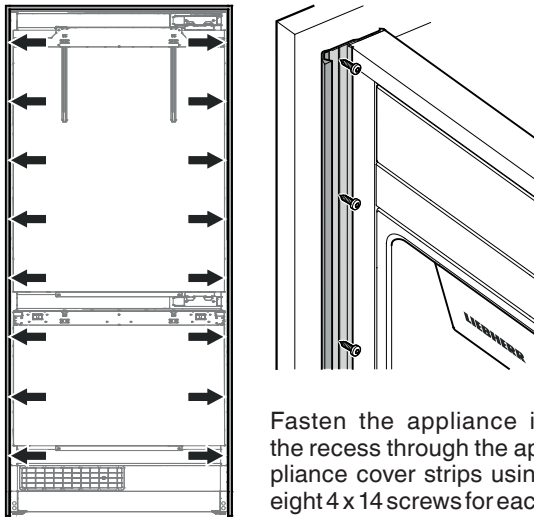
Push the mounting strips upwards.

The bottom edge of the mounting strips must be aligned with the top edge of the adjacent unit door.

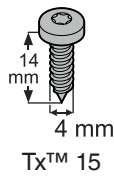


Mount the ventilation grille with the grille segments tilted down.

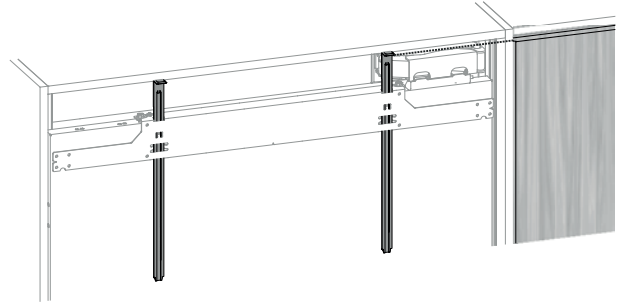
Remove the depth adjustment aid before fastening the appliance in the recess.



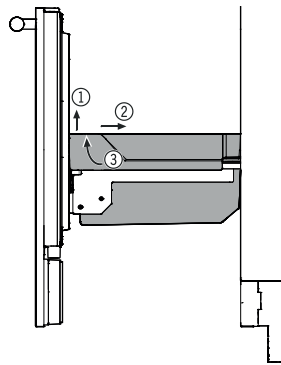
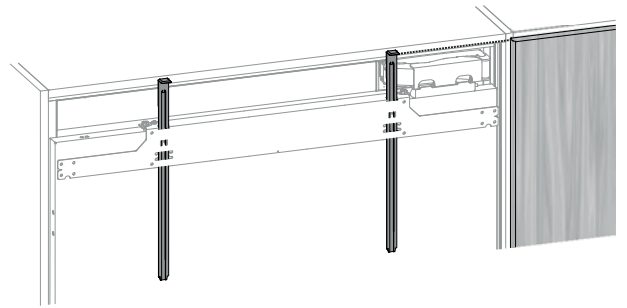
Fasten the appliance in the recess through the appliance cover strips using eight 4 x 14 screws for each side. We recommend that you mark and pre-drill the hole positions in the strip.



Internal door panel



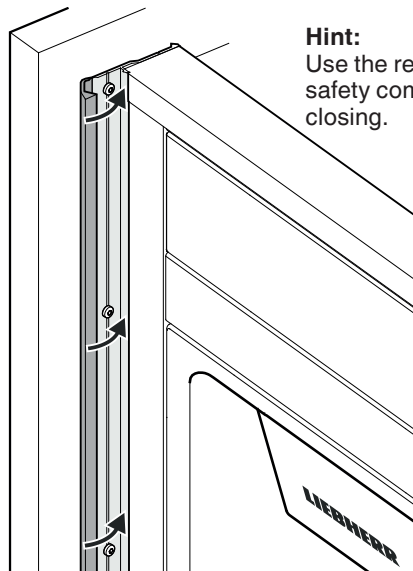
External door panel



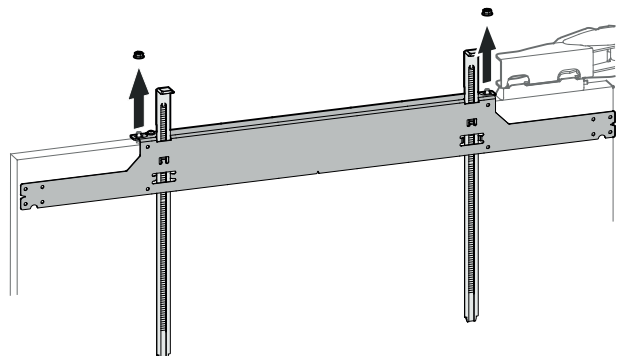
Pull the freezer drawer upwards by its right and left bottom corners (1). Push the container backwards (2). Set the container to an angle and remove it (3).

Close the front part of the appliance cover strips.

Hint: Use the removed transportation safety component to help with closing.



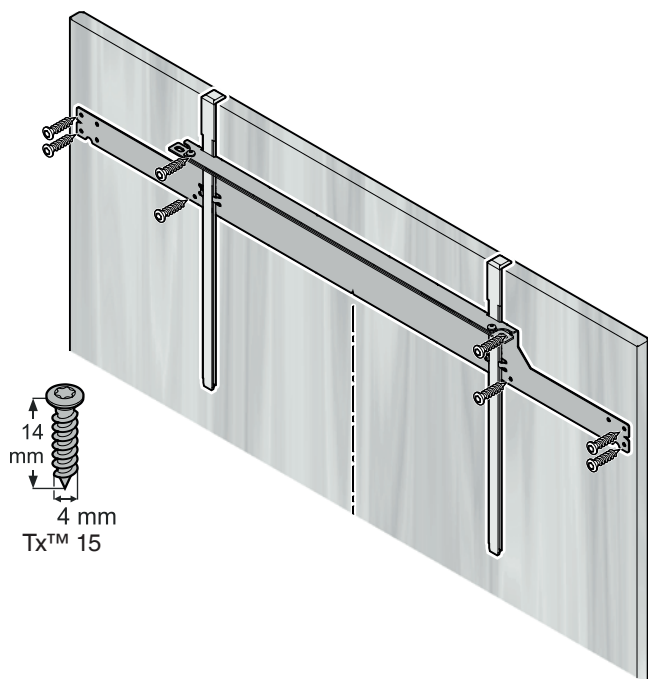
Open the door. Unscrew the attachment bracket with the mounting strips.



IMPORTANT

As you remove them, ensure that the mounting strips do not move.

Position the attachment bracket in the middle of the door panel, align horizontally and secure to the door panel using eight 4 x 14 screws.

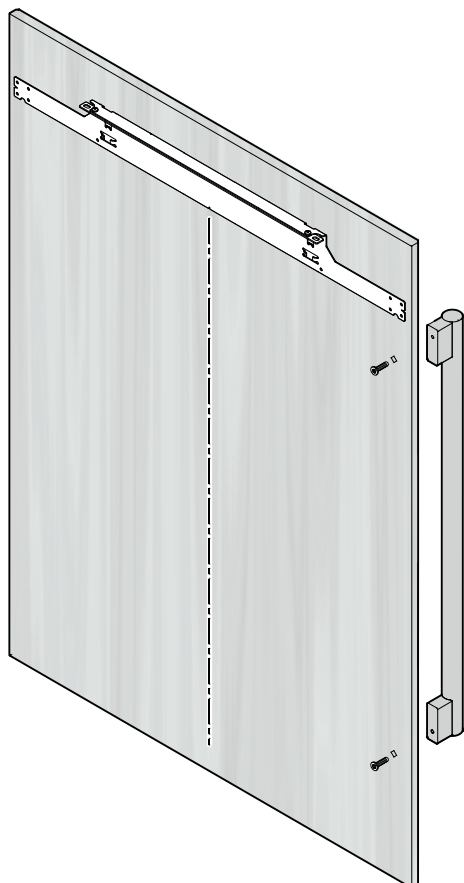


IMPORTANT

Risk of damaging the panel.
Do not undershoot the minimum panel thickness (shaker style).

IMPORTANT

Door handles should be mounted now because the panel support strips will cover the mounting holes.

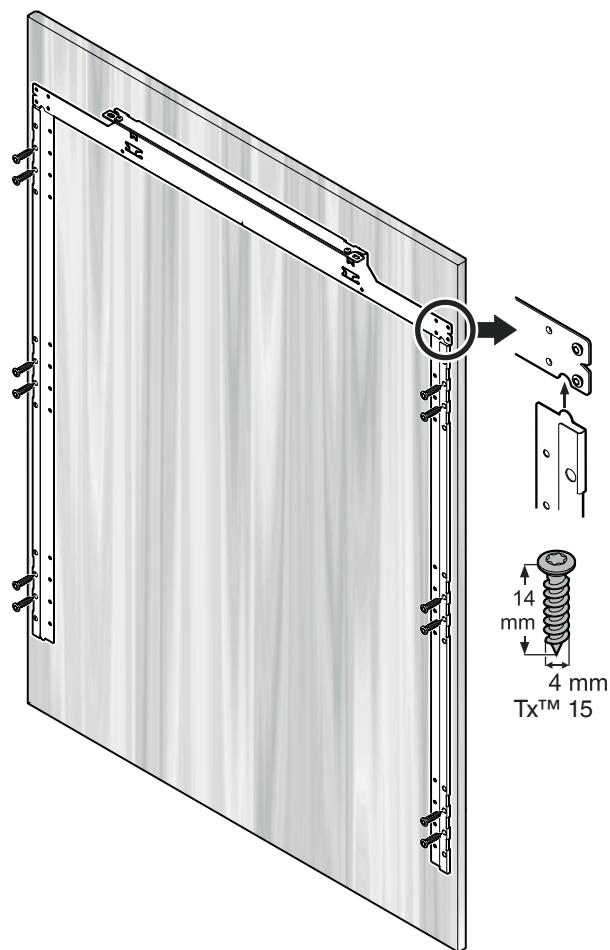


Only use countersunk screws for handle mounting.

The holes should be countersunk.

The screw heads should be flush with the panel.

Position the panel support strips with the top lug in the cut-out of the top attachment bracket.
Align the panel support strips parallel to the side edge of the panel and screw into place with twelve 4 x 14 screws.



IMPORTANT

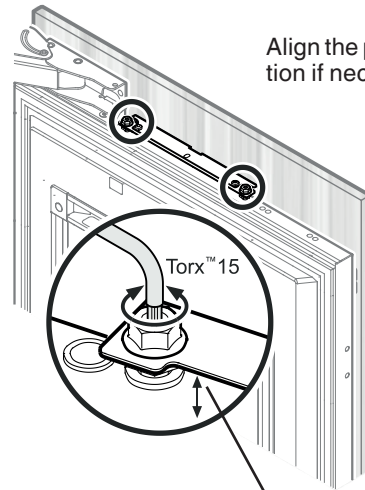
Risk of damaging the panel.
Do not undershoot the minimum panel thickness (shaker style).

Move the mounting strips from the refrigerator door to the freezer door.

IMPORTANT

If the door has to be limited to a 90° opening angle, it must be done before the panel is mounted onto the appliance door. See chapter „**Important note for changing over door hinges or limiting the door opening angle to 90°**“.

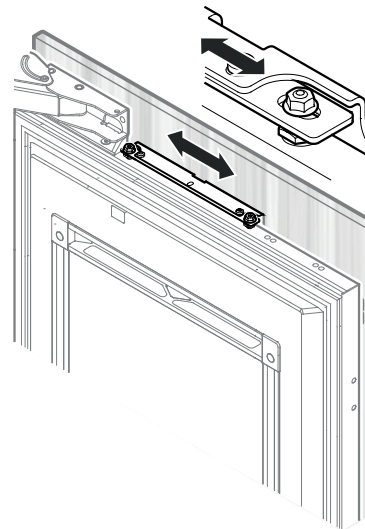
Open the appliance door.
Place the door panel on the top adjusting screws and align in the centre.
Screw the hex nuts onto the adjusting bolts and tighten.



Align the panel in its vertical position if necessary.

Loosen the hex nuts and turn the adjusting bolts with the Torx 15 key provided.

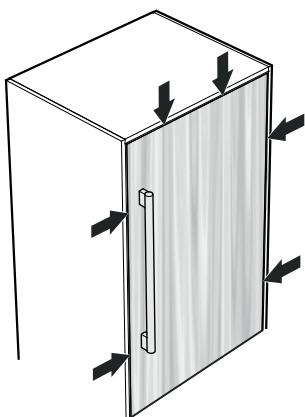
Maximum adjustment: 15 mm



Align the panel horizontally with the long slots in the attachment bracket.

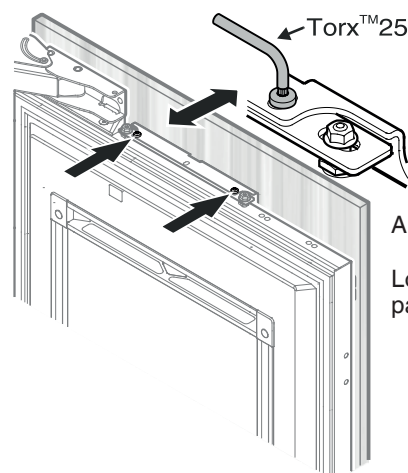
Tighten the securing nuts.

Close the door and check the position of the door panel.



IMPORTANT

After a certain time and loading, it may be necessary to readjust the door.



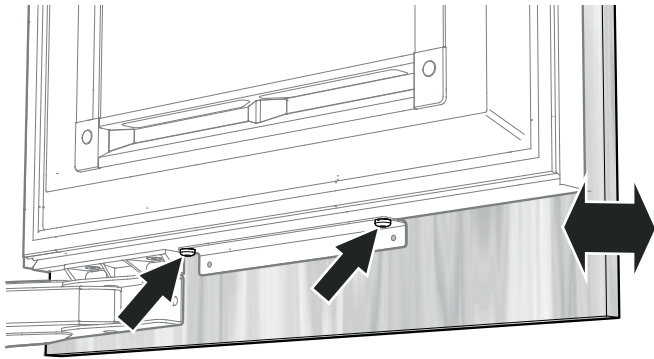
Align the panel in its depth.

Loosen the screws, align the panel and tighten the screws.

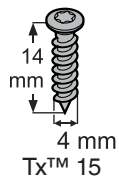
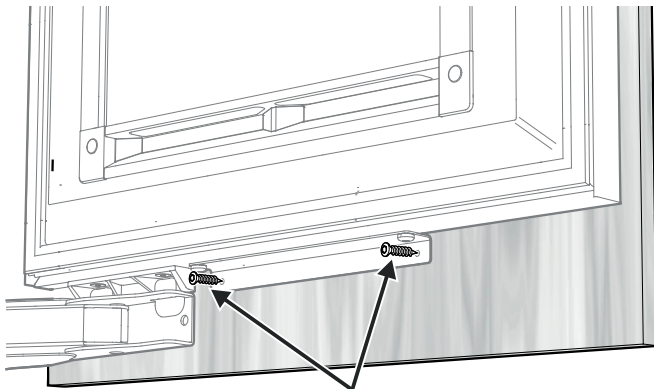
Align the panel in its depth at the bottom.

Loosen the screws, align the panel and tighten the screws. Use the Torx 20 key provided.

Insert the panel supports between panel and appliance door and screw into place with two M6 x 12 screws each.



Secure the panel through the bottom attachment bracket with two 4 x 14 screws.

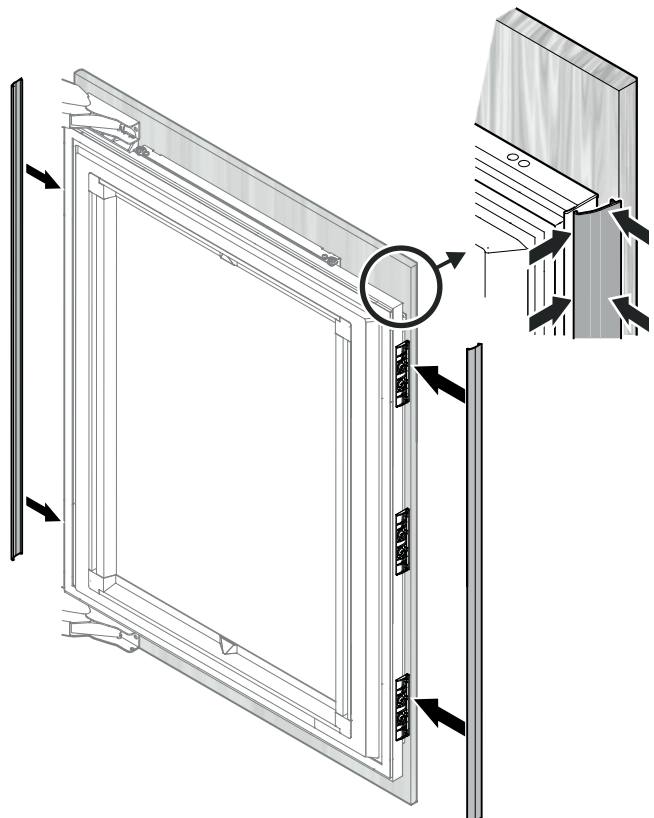


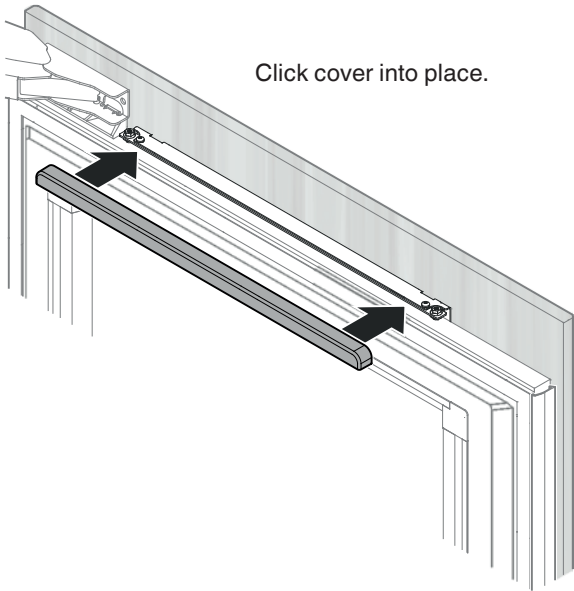
IMPORTANT

Risk of damaging the panel.
Do not undershoot the minimum panel thickness (shaker style).



Hook the door cover strips to the front of the supports and snap in at the back.





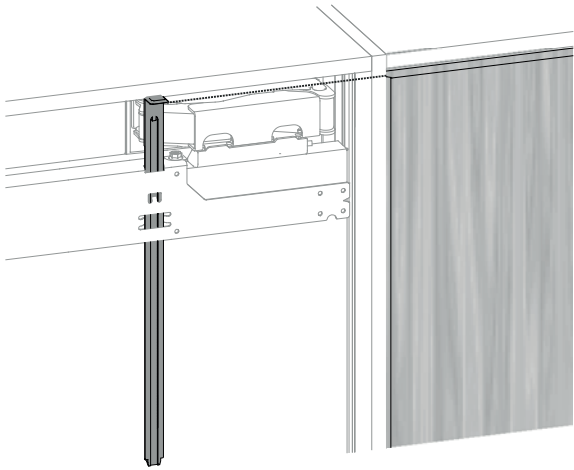
Installing the refrigerator panel (ECBN 9673)

This description only relates to one panel. The procedure is the same for both panels (the illustration shows the right-hand door).

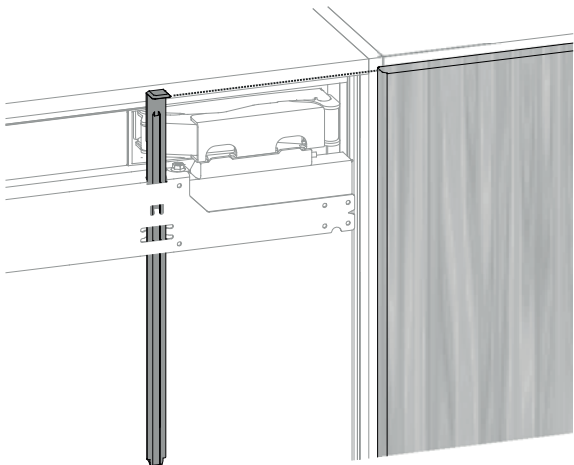
Push the mounting strip upwards.

The bottom edge of the mounting strip must be aligned with the top edge of the adjacent unit door.

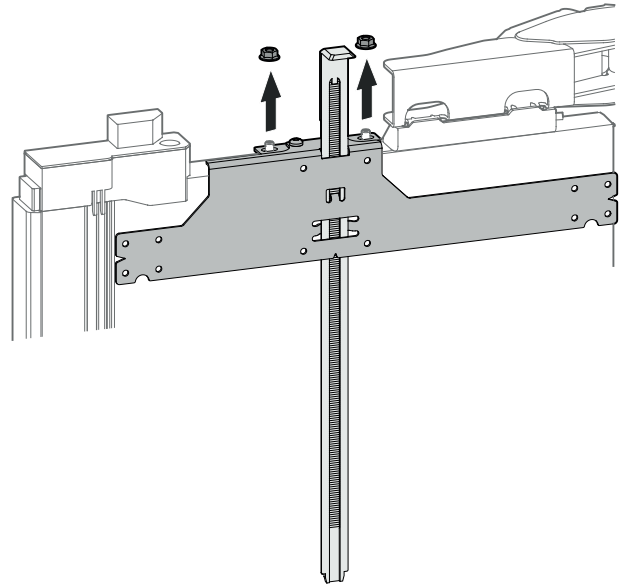
Internal door panel



External door panel



Open the door.
Unscrew the attachment bracket with the mounting strip.

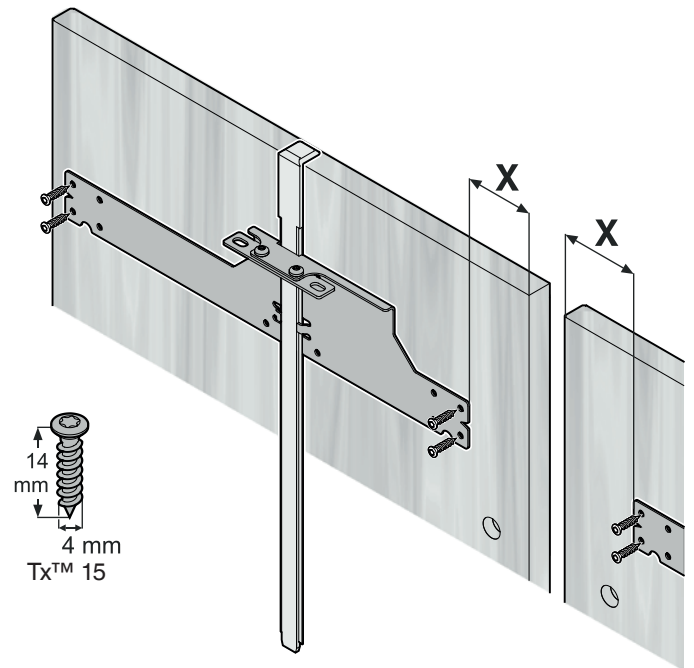


IMPORTANT

When removing, ensure that the mounting strip does not move.

Position the attachment bracket, align it horizontally and secure it to the door panel with four 4 x 14 screws.

X = 60 mm



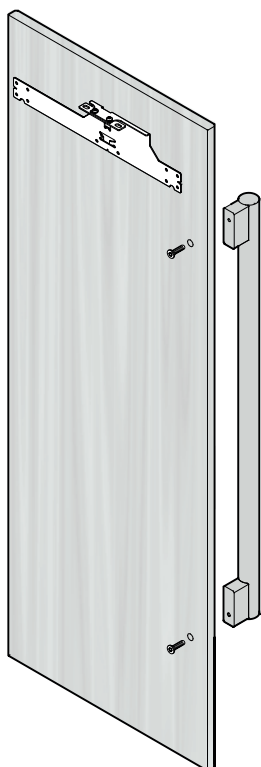
IMPORTANT

Risk of damaging the panel.
Do not undershoot the minimum panel thickness (shaker style).

Only use countersunk screws for handle mounting.

The holes should be countersunk.

The screw heads should be flush with the panel.



Complete the same procedure for the left-hand door.

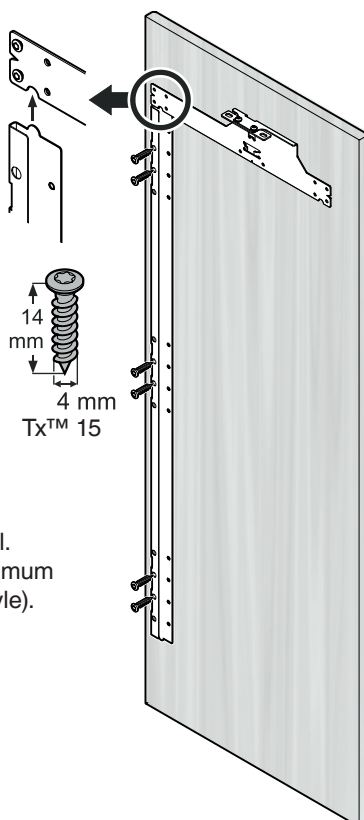
Move the mounting strips from the refrigerator door to the freezer door.

IMPORTANT

If the door has to be limited to a 90° opening angle, it must be done before the panel is mounted onto the appliance door. See chapter „**Important note for changing over door hinges or limiting the door opening angle to 90°**“.

Position the panel support strip with the top lug in the cut-out of the attachment bracket.

Align the panel support strip parallel to the side edge of the panel and screw into place with 4 x 14 screws.

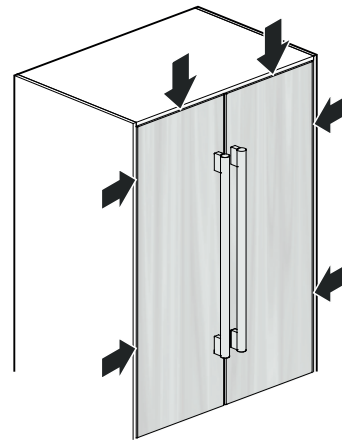
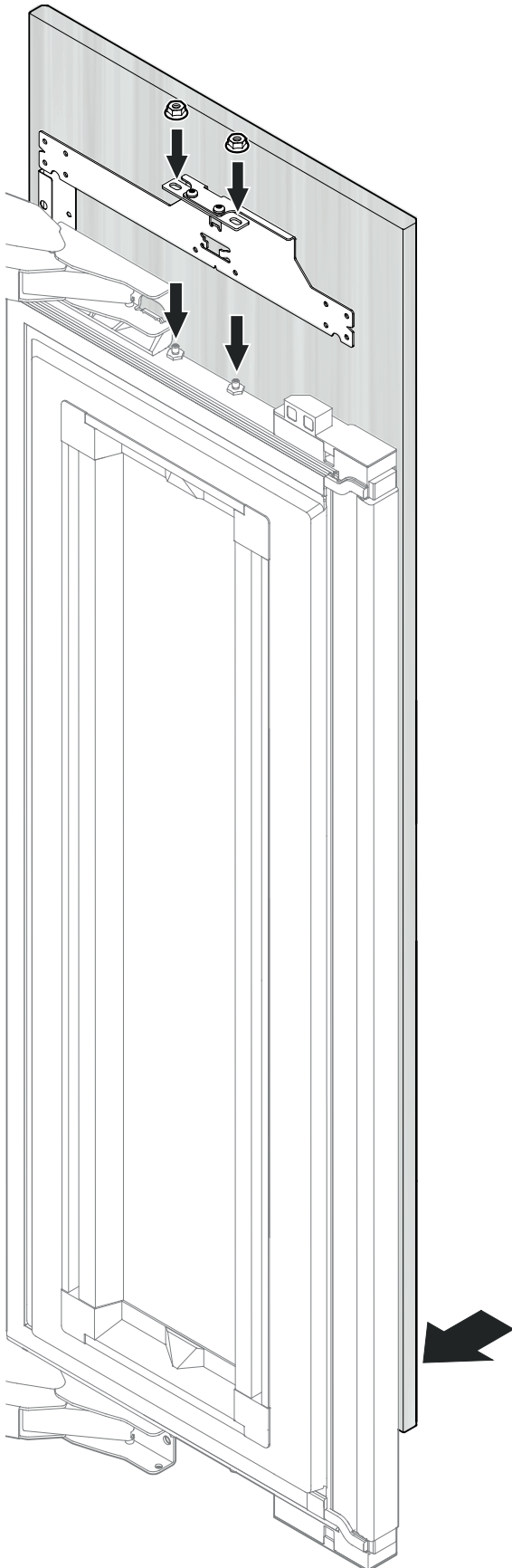


IMPORTANT

Risk of damaging the panel.
Do not undershoot the minimum panel thickness (shaker style).

The following steps must be carried out simultaneously for both doors.

Open the appliance doors.
Place the door panels on the upper adjusting screws and align them with each other.
Screw the hex nuts onto the adjusting bolts and tighten.

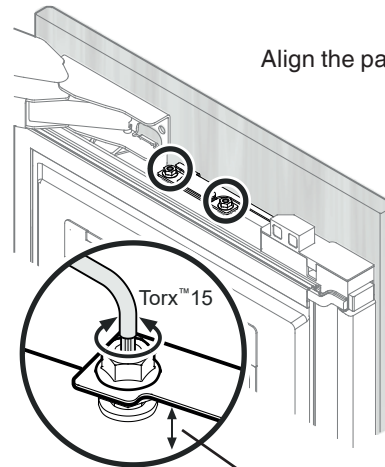


Close the doors and check the position of the door panels.

IMPORTANT

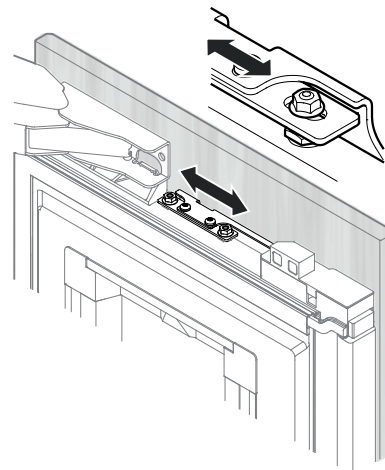
After a certain time and load, the doors may have to be adjusted again.

Align the panels vertically if necessary.



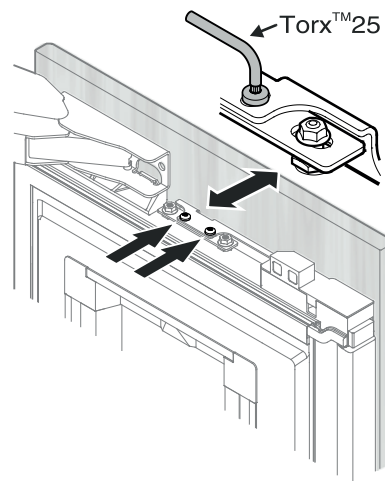
Loosen the hex nuts and turn the adjusting bolts with the Torx 15 key provided.

Maximum adjustment: 15 mm



Align the panels horizontally using the long slots in the attachment bracket.

Tighten the securing nuts.

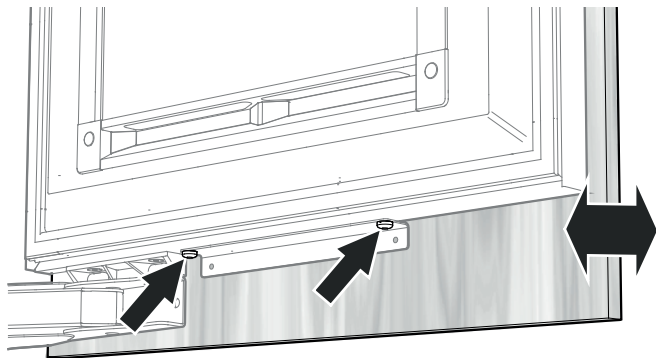


Align the depth of the panels.

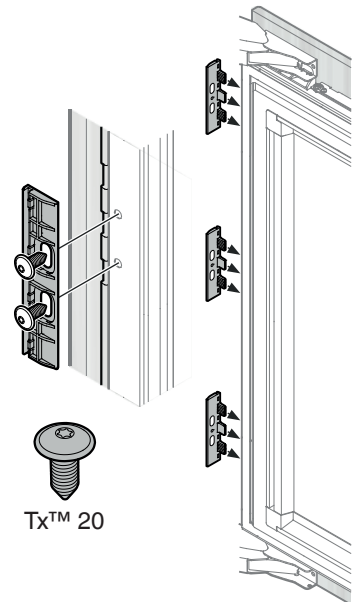
Loosen the screws, align the panel and tighten the screws.

Align the panel in its depth at the bottom.

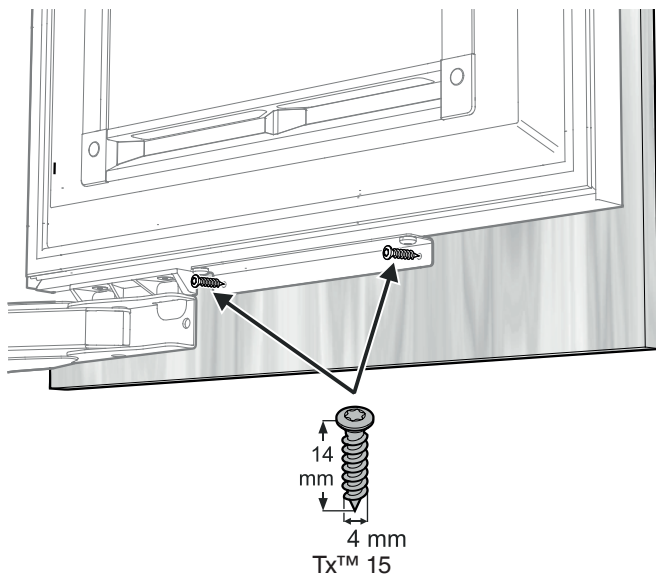
Loosen the screws, align the panel and tighten the screws. Use the Torx 20 key provided.



Insert the panel supports between panel and appliance door and screw into place with two M6 x 12 screws each.



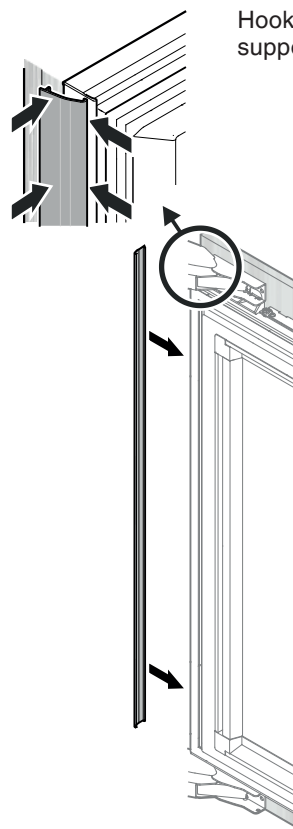
Secure the panel through the bottom attachment bracket with two 4 x 14 screws.



IMPORTANT

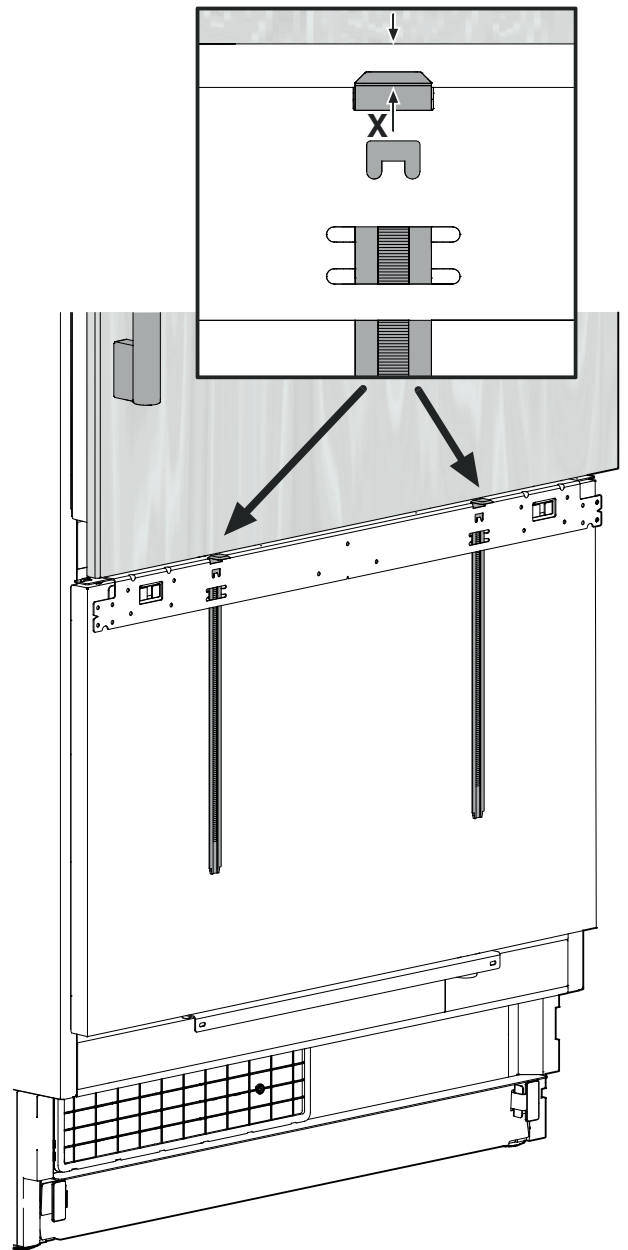
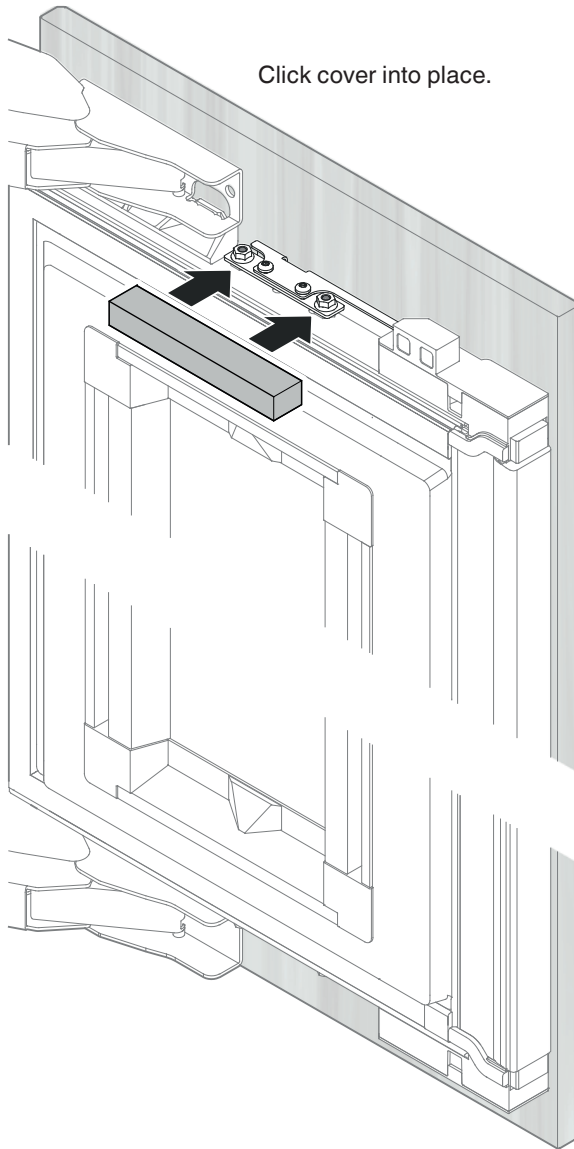
Risk of damaging the panel.
Do not undershoot the minimum panel thickness (shaker style).

Hook the door cover strips to the front of the supports and snap in at the back.



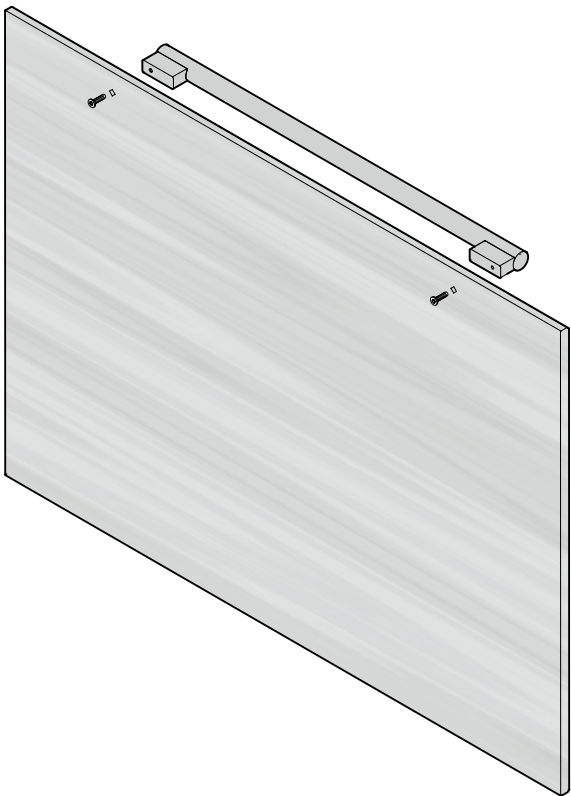
Installing the freezer panel

Set the required gap X (we recommend at least 3 mm).



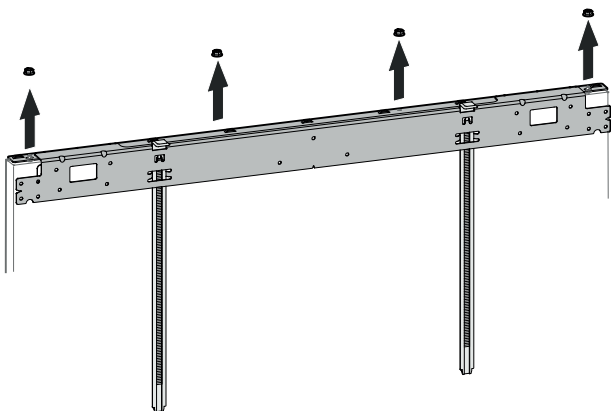
IMPORTANT

Now install the door handles as the attachment bracket will cover the attachment holes.



- Only use countersunk screws for handle mounting.
- The holes should be countersunk.
- The screw heads should be flush with the panel.

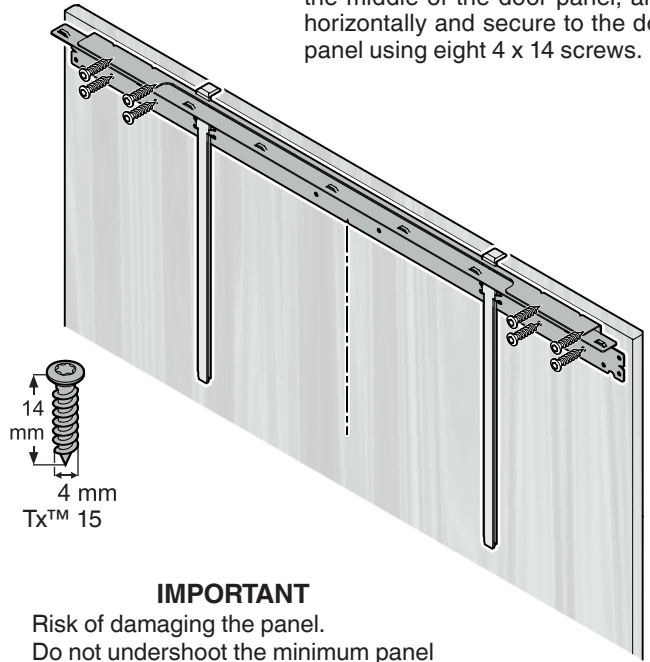
Open the appliance door.
Unscrew the attachment bracket with the mounting strips.



IMPORTANT

As you remove them, ensure that the mounting strips do not move.

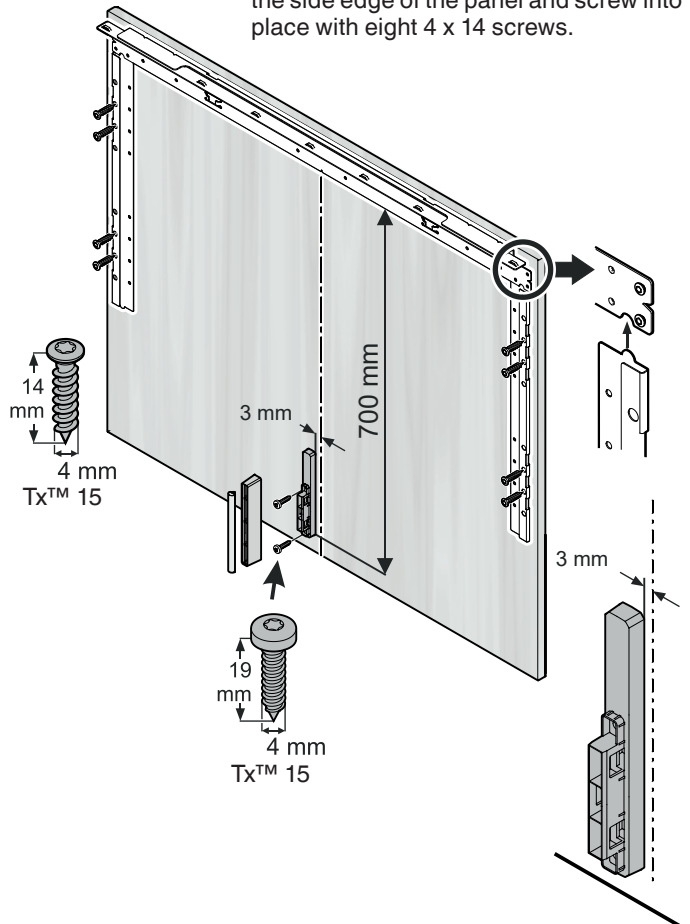
Position the attachment bracket in the middle of the door panel, align horizontally and secure to the door panel using eight 4 x 14 screws.



IMPORTANT

Risk of damaging the panel.
Do not undershoot the minimum panel thickness (shaker style).

Position the panel support strips with the top lug in the cut-out of the top attachment bracket.
Align the panel support strips parallel to the side edge of the panel and screw into place with eight 4 x 14 screws.

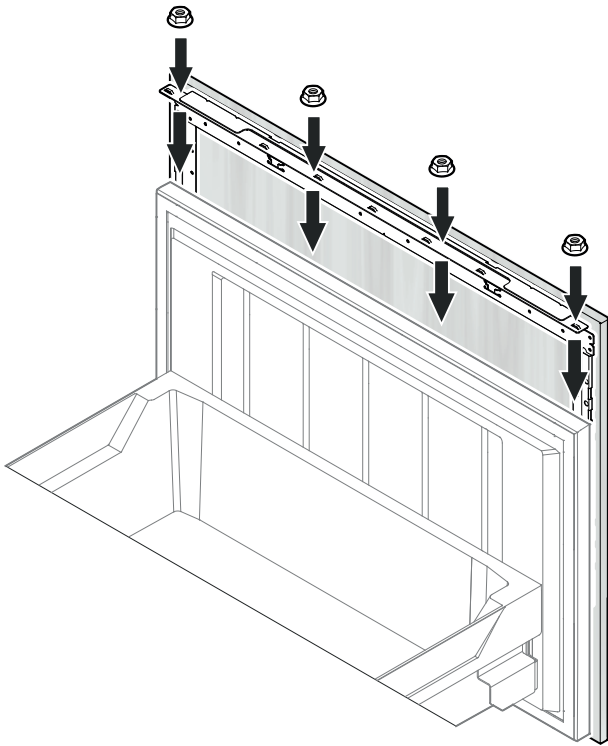


Mount the ventilation duct divider with two 4 x 19 screws.
Click on the cover.

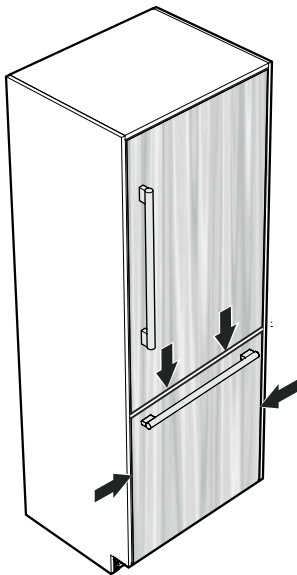
IMPORTANT

Risk of damaging the panel.
Do not undershoot the minimum panel thickness (shaker style).

Open the appliance door.
Place the door panel on the top adjusting screws and align in the centre.
Screw the hex nuts onto the adjusting bolts and tighten.

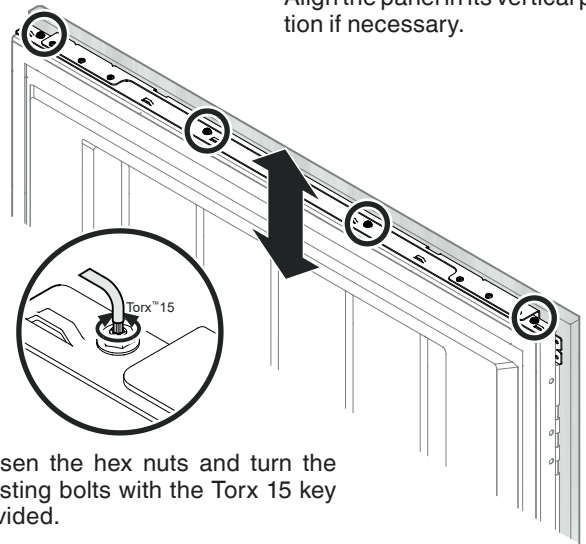


Close the door and check the position of the door panel.

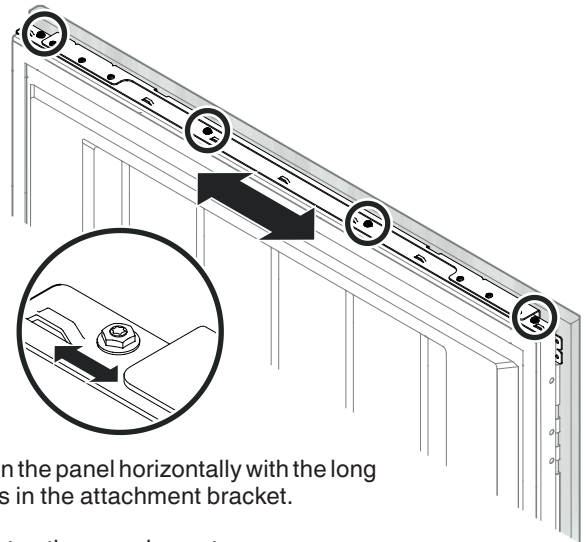


IMPORTANT
After a certain time and loading, it may be necessary to readjust the door.

Align the panel in its vertical position if necessary.

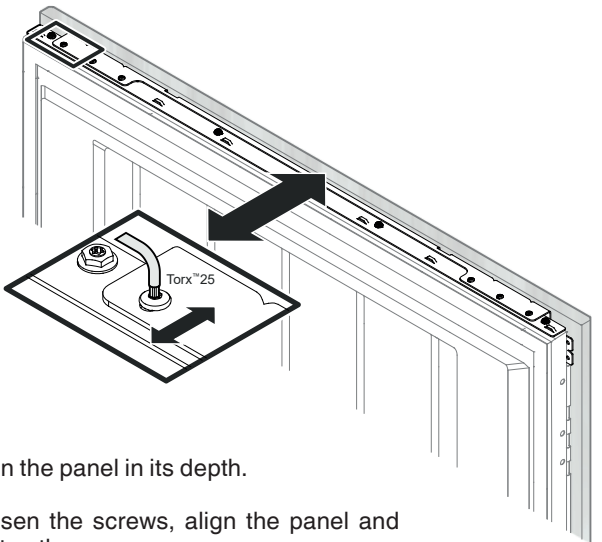


Loosen the hex nuts and turn the adjusting bolts with the Torx 15 key provided.



Align the panel horizontally with the long slots in the attachment bracket.

Tighten the securing nuts.

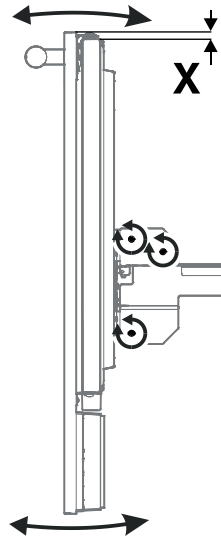
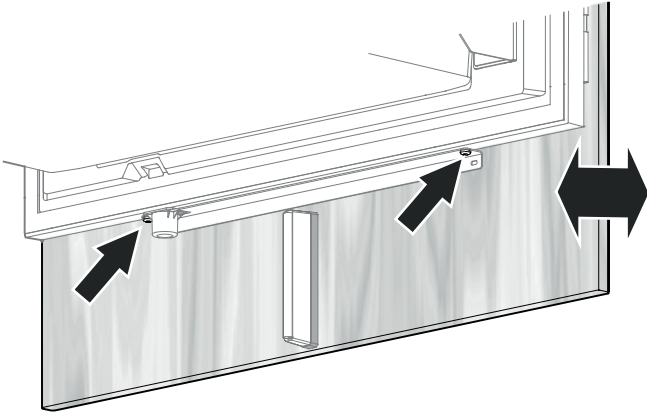


Align the panel in its depth.

Loosen the screws, align the panel and tighten the screws.

Align the panel in its depth at the bottom.

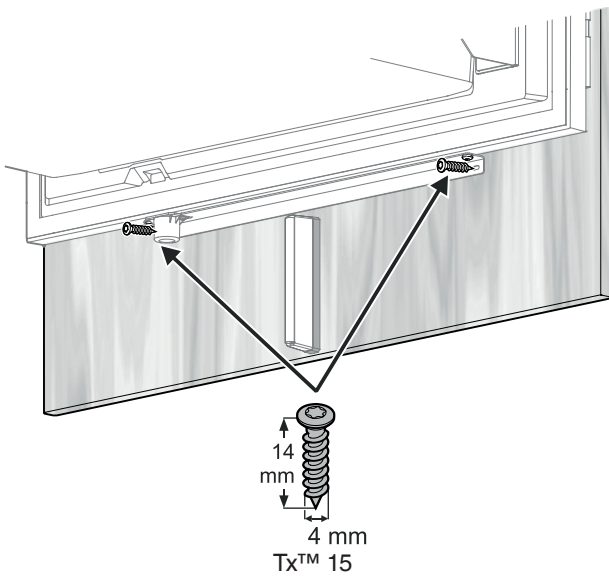
Loosen the screws, align the panel and tighten the screws. Use the Torx 20 key provided.



If required, the front of the freezer drawers can be adjusted. Tighten the screws once the front of the drawer is in the right position. X = max. 15 mm

Side view of the freezer drawer pulled out

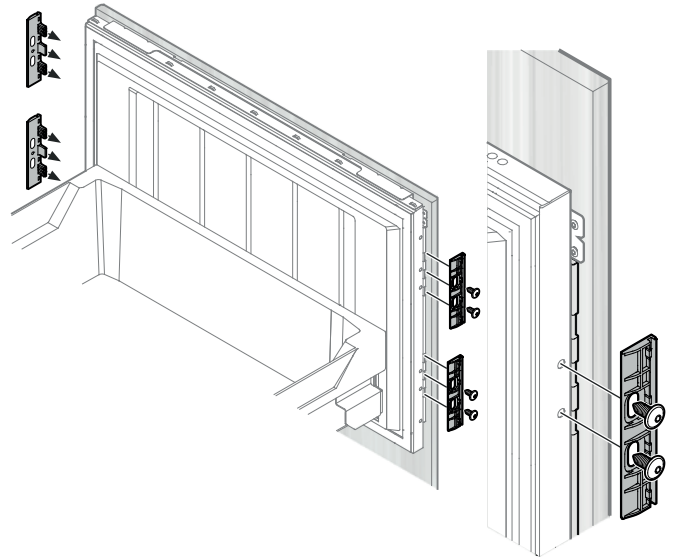
Secure the panel through the bottom attachment bracket with two 4 x 14 screws.



Insert the panel supports between panel and appliance door and screw into place with two M6 x 12 screws each.



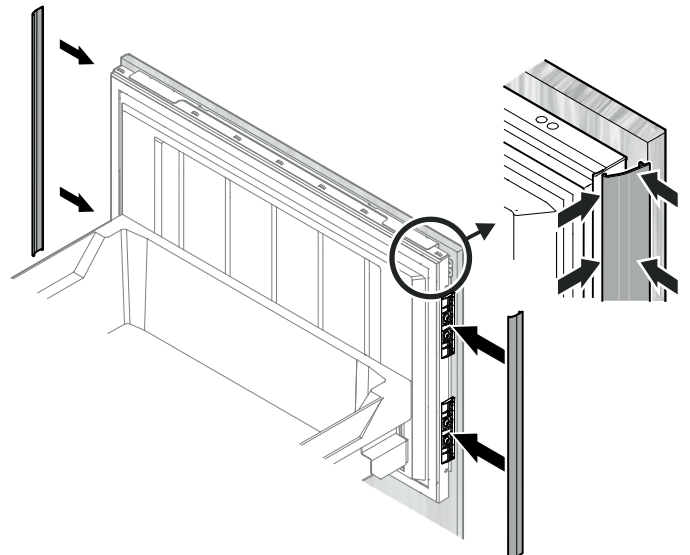
Tx™ 20

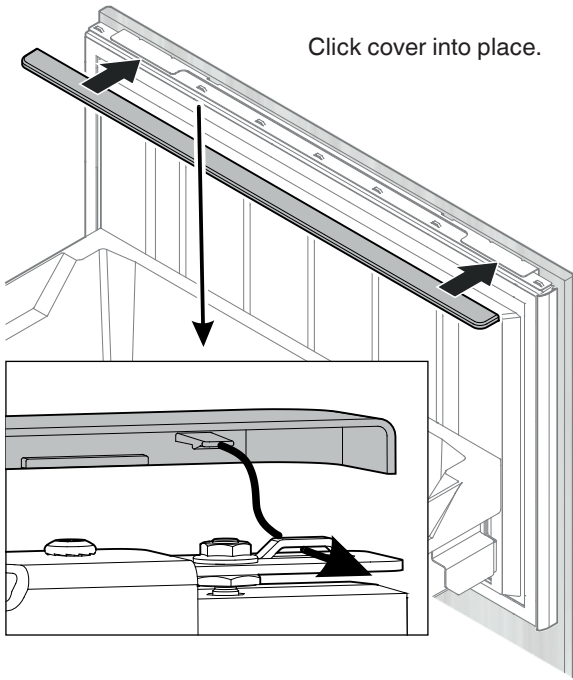


Hook the door cover strips to the front of the supports and snap in at the back.

IMPORTANT

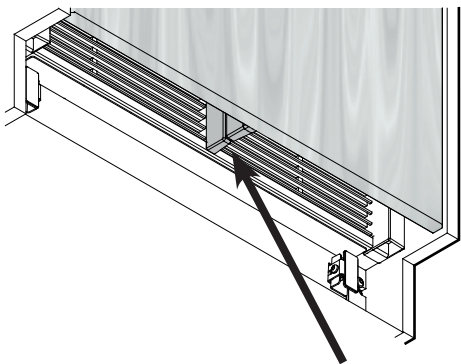
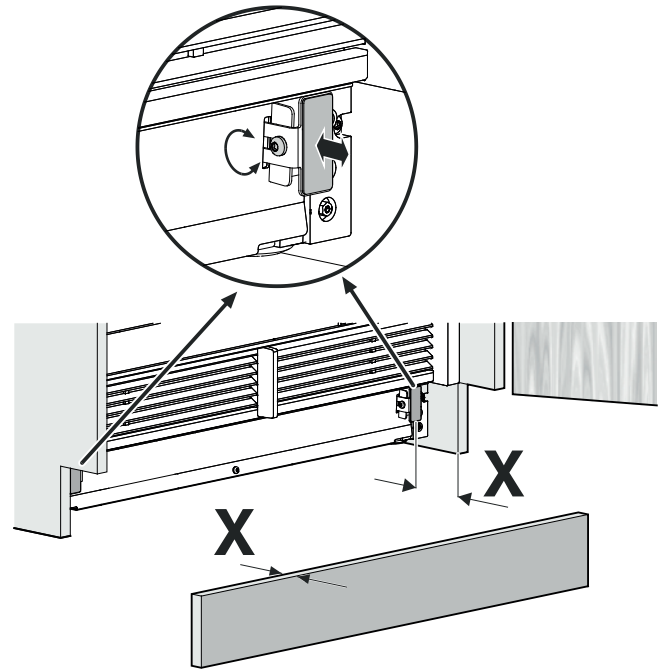
Risk of damaging the panel. Do not undershoot the minimum panel thickness (shaker style).





Click cover into place.

Adjust the brackets to the thickness of the plinth panel.

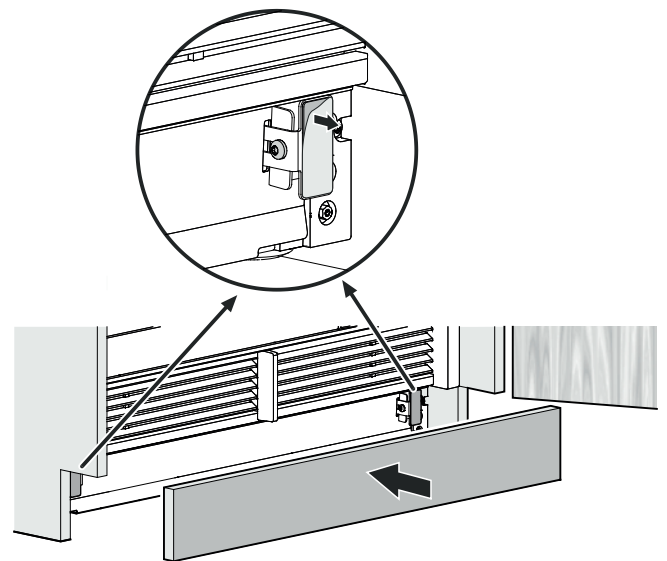


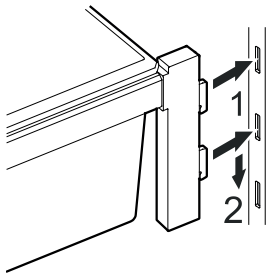
Check that there is no gap between the appliance air divider and the door air divider.

IMPORTANT

There will be a gap if the ventilation grille is fitted incorrectly.

Remove the backing foil and affix the plinth panel.





Insert the door racks.

The bottle rack must be in the lowest possible position of the clip-in strip.

Insert the hooks of the rack into the openings of the clip-in strip at the desired height and push down.

IMPORTANT

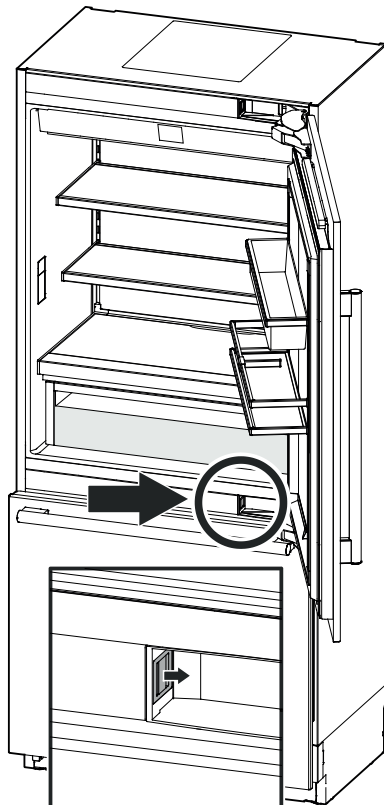
Be sure each door rack is fixed properly in the clip-in strip.

Open the shut-off valve for the water supply and check the entire water system for leaks.

SmartDeviceBox (not supplied in all countries)

Download the "SmartDevice" app to your mobile device.

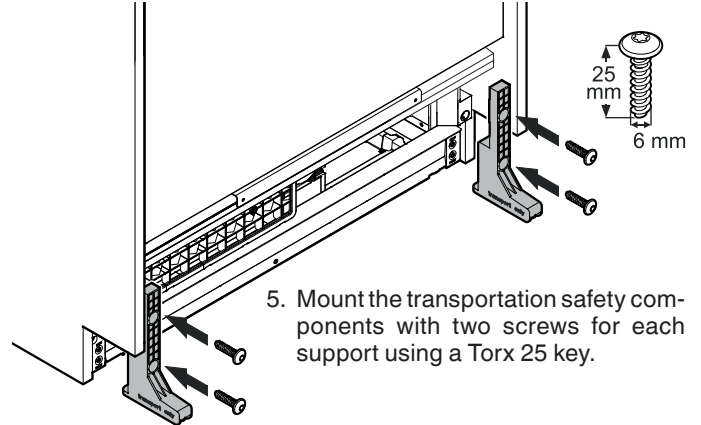
Start the app on your mobile device and follow the instructions.



Please note in case of removing appliance from the recess

If the appliance has to be removed from the recess again, please make sure you take account of the following:

1. Empty the appliance.
2. Disconnect the appliance from the mains.
3. Remove the door panels.
4. Lower the appliance using the height adjustment unit.



5. Mount the transportation safety components with two screws for each support using a Torx 25 key.

⚠ DANGER!

Risk of death or serious injury due to the appliance tipping over.

Do not remove the appliance without the mounted transportation safety components.

Important note for changing over door hinges or limiting the door opening angle to 90°

Changing the door hinges or limiting the door opening angle to 90° should only be carried out by a trained expert.

The door hinges are fitted with strong closing springs. If the hinge accidentally snaps shut, this can lead to serious injury.

The door itself is very heavy. Do not try to remove the door yourself.

Contact the Liebherr customer service department for more information. See contact details on the back of this manual.



Liebherr Hausgeräte Lienz GmbH
Dr.-Hans-Liebherr-Strasse 1
A-9900 Lienz
Österreich
www.liebherr.com

