



## iQ300, built-under cooker hood, 60 cm, Stainless steel LU16150GB



The built-under-cooker hood is installed beneath the upper cabinet or on the wall to save space.

✓ The 350 m<sup>3</sup>/h extraction rate supplies clean air when cooking.

### Features

#### Technical Data

Typology : Built-in/Built-under  
Approval certificates : CE, G-Mark  
Length electrical supply cord : 130 cm  
Net weight : 10.0 kg  
Type of control : mechanical  
Number of speed settings : 3  
Maximum output recirculating air : 260 m<sup>3</sup>/h  
Number of lights : 2  
Noise level : 68 dB(A) re 1 pW  
Diameter of air outlet : 120 mm  
Grease filter material : Washable aluminium  
Odour filter : Yes  
Operating Mode : Convertible  
Optional accessories : LZ27000  
Type of lamps used : Halogen  
Total power of the lamps : 56 W  
Grease filter type : Kasette  
Connection Rating : 306 W  
Voltage : 230-240 V  
Frequency : 50 Hz  
Plug type : GB plug  
Installation typology : Built-under  
Material body : Stainless steel  
Approval certificates : CE, G-Mark  
Plug type : GB plug  
Dimensions of the product, with chimney (if exists) (in) : / x x  
Dimensions of the packed product : 8.26 x 25.19 x 21.65  
Net weight : 22.000 lbs  
Gross weight : 24.000 lbs  
Motor location : Integrated motor in hood body  
No-return airflow flap : No  
Length electrical supply cord : 130 cm  
Dimensions of the product, with chimney (if exists) : 150 x 600.0 x 482.0 mm  
Dimensions of the packed product (HxWxD) : 210 x 640 x 550 mm  
Net weight : 10.0 kg  
Gross weight : 11.0 kg





## iQ300, built-under cooker hood, 60 cm, Stainless steel LU16150GB

### Features

**Variant:****Design:**

- 600 mm width

**Comfort:**

- Suitable for ducted or re-circulated extraction
- Push button controls for 3 speeds
- Twin motor
- Adjustable glass visor
- 2 x halogen - energy saving lamps
- Metal grease filter, dishwasher safe

**Technical information:**

- Ducted extraction rate according to DIN/EN 61591: max. 350 m<sup>3</sup>/h
- Noise level according to EN 60704-3 und EN 60704-2-13 at max. normal use exhaust air: 68 dB(A) re 1 pW (56 dB(A) re 20 µPa sound pressure)
- Power rating: 306 W

**Measures:**

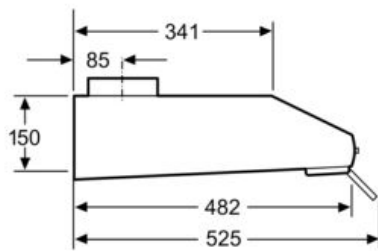
- Dimensions exhaust air (HxWxD): 150 - 150 x 600 x 482 mm
- Dimensions recirculating (HxWxD): 150 - 150 x 600 x 482 mm
- 120 mm diameter pipe
- Light Intensity: 110 lux
- Colour Temperature: 2700 K

**Environment and Safety:**

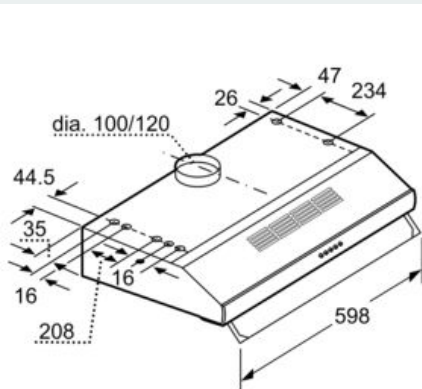


**iQ300, built-under cooker hood, 60 cm, Stainless steel  
LU16150GB**

Dimensioned drawings



measurements in mm



measurements in mm