



## iQ700, wall-mounted cooker hood, 90 cm, clear glass black printed LC97FVW69B



Extractor hood in Flat design with high extraction rate for a powerful performance.

- ✓ iQdrive: The quiet high-performance motor with an impressive extraction rate ensures a very efficient odour and steam removal.
- ✓ Detects steam and odours to adjust the power level automatically – climateControl sensor with cookConnect system
- ✓ Highlight your kitchen – emotionLight Pro.
- ✓ Your hood listen to you - Voice control.
- ✓ Access and control your hood, no matter where you are - Home Connect App (Android and iOS)

### Features

#### Technical Data

Typology : Wall-mounted  
 Length electrical supply cord : 130 cm  
 Height of product, without chimney : 430 mm  
 Net weight : 25.3 kg  
 Type of control : Electronic  
 Number of speed settings : 3-stage + 2 intensive  
 Maximum output air extraction : 394 m<sup>3</sup>/h  
 Boost position output recirculating : 404 m<sup>3</sup>/h  
 Maximum output recirculating air : 249 m<sup>3</sup>/h  
 Boost position air extraction : 717 m<sup>3</sup>/h  
 Number of lights : 2  
 Noise level : 57 dB(A) re 1 pW  
 Diameter of air outlet : 150 / 120 mm  
 Grease filter material : Other  
 Odour filter : No  
 Operating Mode : Convertible  
 Delay Shut off modes : 10 min  
 Optional accessories : LZ10AXL50, LZ11AFB16, LZ11AFI16, LZ11AFV16, LZ11AXC56, LZ11AXE61, LZ31XXB16, LZ10AXK50, LZ00XXP00, LZ10AFR00, LZ10AFS00  
 Type of lamps used : LED  
 Grease filter type : Kassette  
 Connection Rating : 150 W  
 Fuse protection : 10 A  
 Voltage : 220-240 V  
 Frequency : 50; 60 Hz  
 Plug type : GB plug  
 Installation typology : Wall-mounted  
 Material body : Glass, Lacquered  
 Plug type : GB plug  
 Dimensions of the product, with chimney (if exists) (in) : l x x  
 Dimensions of the packed product : 21.25 x 29.13 x 40.94  
 Net weight : 56.000 lbs  
 Gross weight : 72.000 lbs  
 Motor location : Integrated motor in hood body  
 No-return airflow flap : Yes  
 Length electrical supply cord : 130 cm  
 Dimensions of the product, with chimney (if exists) : 500 x 890.0 x 263.0 mm  
 Dimensions of the packed product (HxWxD) : 540 x 740 x 1040 mm  
 Net weight : 25.3 kg  
 Gross weight : 32.8 kg



4 242003 804285



## iQ700, wall-mounted cooker hood, 90 cm, clear glass black printed LC97FVW69B

### Features

#### Variant:

- cooktop
- (with matching cooktop)

#### Design:

- Chimney hood
- Wall mounted hood
- 90 cm
- Appliance colour: black
- clear glass black printed

#### Comfort:

- Suitable for ducted or recirculated operation
- In recirculation operation chimless use possible
- Boost function
- Gas spring 3
- Electronic
- 10 min.
- easy to clean Inner frame
- 2 capture areas: front side and bottom side
- softLight, Light dimmer function
- 2 single inlet vertical, BLDC for Ventilation
- Rim extraction
- Filter cover glass
- Metal grease filter, dishwasher safe
- grease- and charcoal filter
- For recirculated extraction a recirculating kit or a CleanAir recirculation kit (accessory) is needed

#### Remote Monitoring and Control (only in countries where Home Connect service is available)

- Remote Monitoring and Control for connected home appliances and operation via smartphone or tablet (only in countries where Home Connect service is available)
- The Home Connect functionality can be extended by integrating numerous applications from external cooperation partners (partnerships)

#### Environment and safety:

- Energy Efficiency Class: B\*
- Average Energy Consumption: 40 kWh/year\*
- Blower Efficiency Class: B\*
- Lighting Efficiency Class: A\*
- Grease Filtering Efficiency Class: B\*
- touchControl for extractor speeds and light

#### Technical information:

- Extraction rate according to DIN/EN 61591 ø 15 cm: max. Normal 394 m<sup>3</sup>/h Intensive 717 m<sup>3</sup>/h
- Extraction rate exhaust air according to EN 61591:
  - max. normal use 394 m<sup>3</sup>/h, intensive 717 m<sup>3</sup>/h
- Noise min./max. Normal Level: 43/57 dB\*
- Noise level according to EN 60704-3 und EN 60704-2-13 exhaust air:
  - Max. normal use: 57 dB(A) re 1 pW (44dB(A) re 20 µPa sound pressure)
  - Intensive: 57 dB(A) re 1 pW (57 dB(A) re 20 µPa sound pressure)
- Power rating: 150 W
- 2 x 3W LED

- Light Intensity: 589 lux
- Colour Temperature: 3500 K

#### Measures:

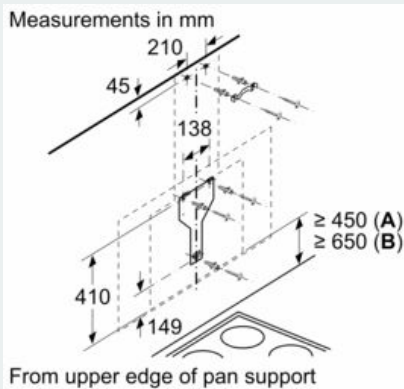
- Diameter pipe Ø 150 mm (Ø 120 mm enclosed)
- Dimensions exhaust air (HxWxD): 969-1239 x 890 x 263 mm
- Dimensions recirculating, chimney (HxWxD): 1029-1299 x 890 x 263 mm
- Dimensions recirculating with CleanAir module (HxWxD):
  - 1159 x 890 x 263mm - mounting with outer chimney
  - 1229-1499 x 890 x 263 mm - mounting with telescopic chimney
- Dimensions recirculating, chimless (HxWxD): 500 mm x 890 x 263mm

\* In accordance with the EU-Regulation No 65/2014



**iQ700, wall-mounted cooker hood, 90 cm, clear glass black printed LC97FVW69B**

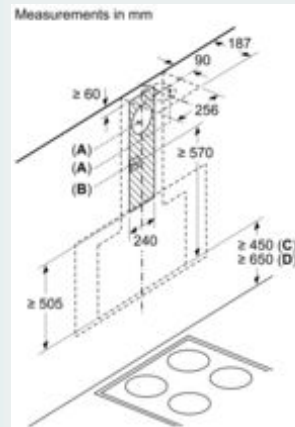
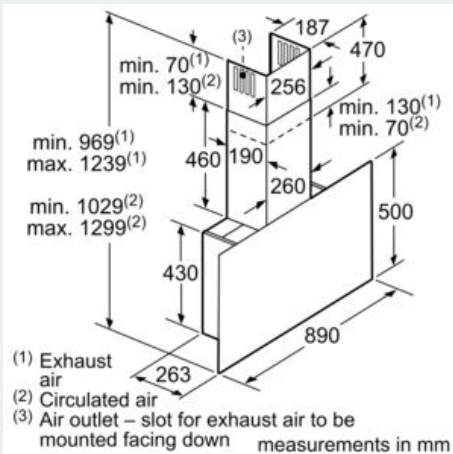
Dimensioned drawings



**A:** Electric  
**B:** Gas



measurements in mm



**A:** Exhaust air  
**B:** Socket

