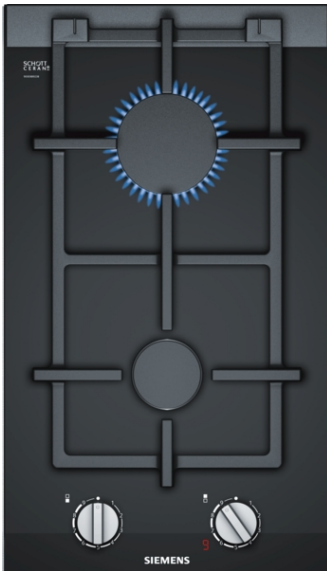


**iQ700, domino hob, gas, 30 cm,
Ceramic
ER3A6BD70M**



The gas hob with stepFlame Technology for precise flame control in nine steps.

- ✓ stepFlame Technology: precise heat control with nine different flame steps.
- ✓ The 7-segment display informs about the chosen power level.
- ✓ Extremely convenient to clean thanks to modern, dishwasher proof pan supports.
- ✓ High-quality materials and workmanship – continuous cast-iron pan supports.
- ✓ Design burner – extremely flat in comparison to standard burner.

Features

Technical Data

Product name/family : Vario/Domino gas hob w control
 Built-in / Free-standing : Built-in
 Energy input : Gas
 Total number of positions that can be used at the same time : 2
 Required niche size for installation (HxWxD) : 45 x 270 x 490-500 mm
 Width of the appliance : 302 mm
 Dimensions : 45 x 302 x 520 mm
 Dimensions of the packed product (HxWxD) : 185 x 385 x 578 mm
 Net weight : 6.233 kg
 Gross weight : 7.0 kg
 Residual heat indicator : Separate
 Location of control panel : Hob front
 Basic surface material : Ceramic
 Color of surface : Alu, brushed, Black
 Color of frame : Black
 Approval certificates : CE, Eurasian, G-Mark
 Length electrical supply cord : 100 cm
 Connection Rating : 2 W
 Gas connection rating : 4700 W
 Fuse protection : 3 A
 Voltage : 220-240 V
 Frequency : 60; 50 Hz



4 242003 782422

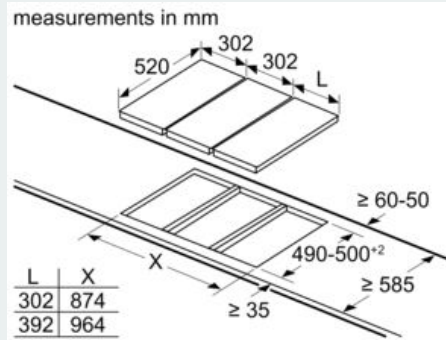
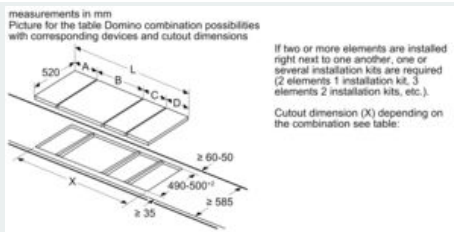
**iQ700, domino hob, gas, 30 cm,
Ceramic
ER3A6BD70M**

Features

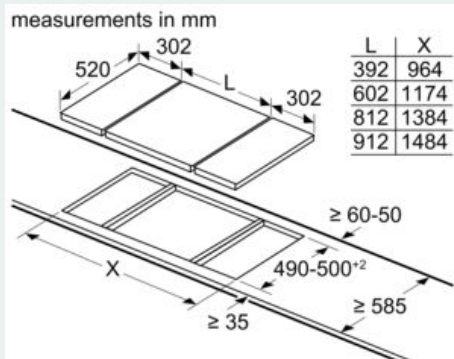
- ER3A6BD70M
 - 30 cm, Vario/Domino gas hob w control, Ceramic glass
- Design:**
- Ceramic glass top sheet
 - Cast iron pan supports
 - BSH flat burner
- Comfort:**
- Step valve 9 steps
 - Electronic display
 - sword knobs
 - Easy to clean ceramic glass surface.
 - 1-hand ignition
 - Pan supports dishwasher proof
- Power and size:**
- 2 PC
 - 1 rapid, 1 standard burner
 - High-speed burner up to 2.8 KW (depending on gas type)
 - Center front: Standard burner up to 0.4 KW (depending on gas type)
- Environment+safety:**
- 2-fold residual heat indicator
 - Preset of liquid gas (28-30/37mbar)
 - Full flame safety
- Accessories**
- Natural gas nozzles (20 mbar) included
- Measurements**
- 100 cm

**iQ700, domino hob, gas, 30 cm,
Ceramic
ER3A6BD70M**

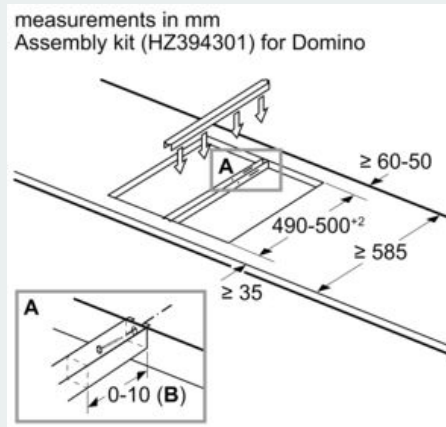
Dimensioned drawings



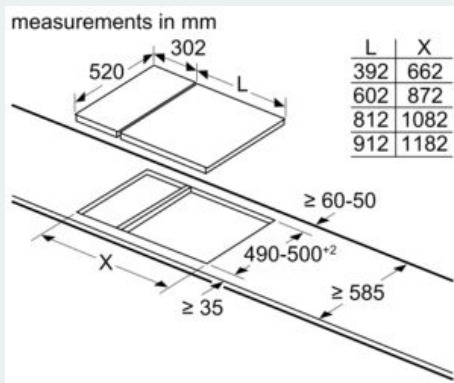
When installing two or more Domino units side-by-side, one or more assembly kits are required (2 units = 1 assembly kit, 3 units = 2 assembly kits, etc.).



When installing two Domino units right next to a hob, two assembly kits (HZ394301) are required.



B: Dependent on the cut-out depth



When installing a Domino unit right next to a hob, an assembly kit (HZ394301) is required.

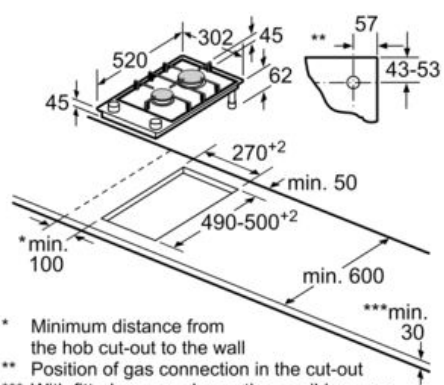
iQ700, domino hob, gas, 30 cm,
Ceramic
ER3A6BD70M

Dimensioned drawings

measurements in mm
Domino combination options with corresponding
appliance and cut-out dimensions

Width category: 30 40 60 70 80 90
Appliance width: 302 392 602 710 812 912

	A	B	C	D	L	X
2x30	302	302	-	-	604	572
1x30, 1x40	302	392	-	-	694	662
1x30, 1x60	302	602	-	-	904	872
1x30, 1x70*	302	710	-	-	1012	980
1x30, 1x80	302	812	-	-	1114	1082
1x30, 1x90	302	912	-	-	1214	1182
2x40	392	392	-	-	784	752
1x40, 1x60	392	602	-	-	994	962
1x40, 1x70*	392	710	-	-	1102	1070
1x40, 1x80	392	812	-	-	1204	1172
1x40, 1x90	392	912	-	-	1304	1272
3x30	302	302	302	-	906	874
2x30, 1x40	302	302	392	-	996	964
2x30, 1x60	302	302	602	-	1206	1174
2x30, 1x70*	302	302	710	-	1314	1282
2x30, 1x80	302	302	812	-	1416	1384
2x30, 1x90	302	302	912	-	1516	1484
1x30, 2x40	302	392	392	-	1086	1054
1x30, 1x40, 1x60	302	392	602	-	1296	1264
1x30, 1x40, 1x70*	302	392	710	-	1404	1372
1x30, 1x40, 1x80	302	392	812	-	1506	1474
1x30, 1x40, 1x90	302	392	912	-	1606	1574
3x40	392	392	392	-	1176	1144
2x40, 1x60	392	392	602	-	1386	1354
4x30	302	302	302	302	1208	1176
3x30, 1x40	302	302	302	392	1298	1266
2x30, 2x40	302	302	392	392	1388	1356
1x30, 3x40	302	392	392	392	1478	1446



- * Minimum distance from the hob cut-out to the wall
- ** Position of gas connection in the cut-out
- *** With fitted oven underneath, possibly more; see space requirements for the oven

measurements in mm