



**iQ700, built-in compact oven with
microwave function, 60 x 45 cm,
Stainless steel
CM633GBS1M**



The compact oven with a height of 45 cm with integrated microwave function – the fastest way to achieve perfect baking and roasting results.

- ✓ varioSpeed: reduce cooking times by up to 50%.
- ✓ Reach the required baking temperature sooner - fastPreheat.
- ✓ cookControl14: automatic programs ensure best results.
- ✓ TFT Display: good readability from any perspective.
- ✓ 4D hotAir: flexible choice of shelf.

Features

Technical Data

Type of micro-wave oven : MW-Combi
Type of control : Electronic
Color / Material Front : Stainless steel
Dimensions : 455 x 594 x 548 mm
Cavity dimensions : 237.0 x 480 x 392.0 mm
Length electrical supply cord : 150 cm
Net weight : 35.8 kg
Gross weight : 38.1 kg
Maximum micro-wave power : 900 W
Number of Power Levels : 5
Turntable : No
Cavity material : Enamelled steel
Door opening : Handle
Clock : Yes
Included accessories : 1 x combination grid, 1 x universal pan
Main colour of product : Stainless steel
Height of the product : 455 mm
Width of the appliance : 594 mm
Depth of the product : 548 mm
Maximum micro-wave power : 900 W
Connection Rating : 3600 W
Fuse protection : 16 A
Voltage : 220-240 V
Frequency : 60; 50 Hz
Plug type : no plug
Color / Material Front : Stainless steel
Required cutout/niche size for installation (in) : x x
Dimensions of the packed product : 21.25 x 25.59 x 26.77
Net weight : 79.000 lbs
Gross weight : 84.000 lbs
Included accessories : 1 x combination grid, 1 x universal pan

Included accessories

- 1 x combination grid
- 1 x universal pan





iQ700, built-in compact oven with microwave function, 60 x 45 cm, Stainless steel CM633GBS1M

Features

Type of oven / heating system:

- Compact oven with microwave with 6 heating methods:
- 4D hot air, Hot Air-Eco, hot air grilling, Full width grill, Half width grill, pre-heating
- Additional heating methods with microwave: microwave, combi microwave constant
- Temperature range 30 °C - 275 °C
- Max. Power: 900 W; 5 Microwave power settings (90 W, 180 W, 360 W, 600 W, 900 W) with Inverter (MW)
- Cavity volume: 45 l
-

Design:

- Rotary Control
- Cavity inner surface: enamel anthracite

Cleaning:

- Microwave top door

Comfort:

- Drop down door, soft closing, soft opening
- autom. temperature proposal
- actual temperature display heating-up control automatic programming
- soft opening
- Supporting systems: Programs
- Number of automatic programmes: 14 PC
- Electronic clock
- Rapid heating-up
- LED light, Independent oven interior light button
- Integral cooling fan
- Stainless-steel fan
- Info button
- Bar handle

Hook-in racks / rails

- Cavity with shelf support rails, Telescopic slide-out Not available

Accessory:

- 1 x combination grid, 1 x universal pan

Environment and Safety:

- Maximum window temperature 40° C
- Child safety button
- Automatic switch off Residual heat indicator start button door contact switch

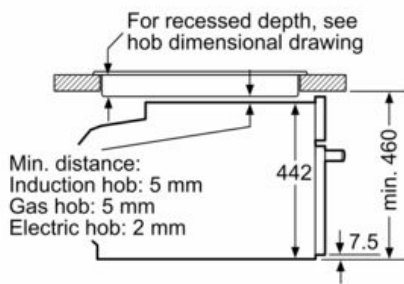
Technical Info:

- Length of mains cable: 150 cm
-
- Total connected load electric: 3.6 KW
- Appliance dimension (hxwxd): 455 mm x 594 mm x 548 mm
- Niche dimension (hxwxd): 450 mm - 455 mm x 560 mm - 568 mm x 550 mm
- "Please reference the built-in dimensions provided in the installation drawing"

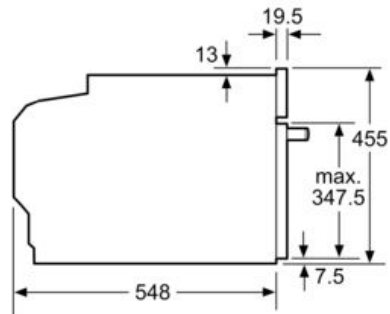
iQ700, built-in compact oven with microwave function, 60 x 45 cm, Stainless steel CM633GBS1M

Dimensioned drawings

Installation with a hob.



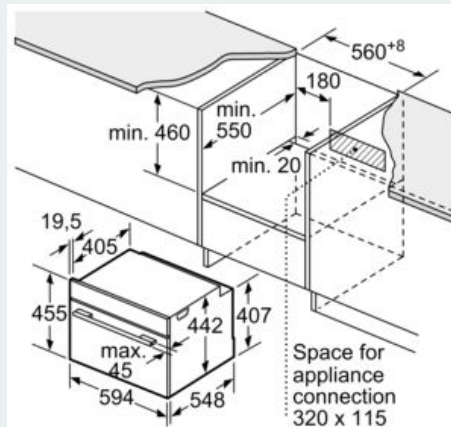
measurements in mm



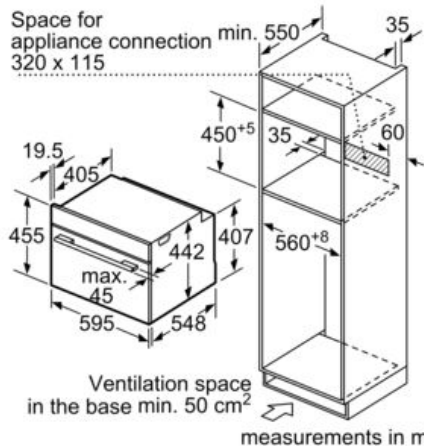
measurements in mm

If the compact appliance will be installed underneath a hob, the following worktop thicknesses (including substructure if necessary) must be taken into account.

Hob type	min. worktop thickness	
	fitted	flush
Induction hob	42 mm	43 mm
Full surface Induction hob	52 mm	53 mm
Gas hob	32 mm	43 mm
Electric hob	32 mm	35 mm



measurements in mm



measurements in mm